



YARD FORCE

OUTDOOR POWER EQUIPMENT

Model/Modelo: **YF1800LR**

OPERATOR'S MANUAL

Electric Pressure Washer

English page 1

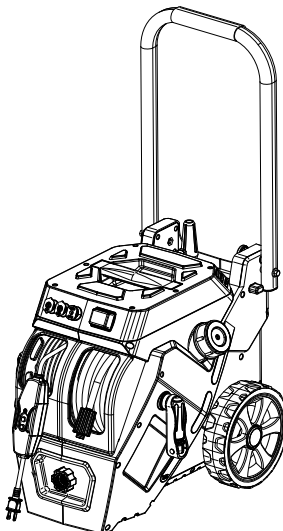
Version 1

MANUAL DE INSTRUCCIONES

Lavadora a Presión Eléctrica

Español página 23

Versión 1



QUESTIONS

Our Customer Service staff is ready to provide assistance. In the case of a damaged or missing part, most replacement parts ship from our facility.

For immediate help with assembly, or for additional product information, visit www.ForceToolsUSA.com or email support@ForceToolsUSA.com

¿PREGUNTAS?

Nuestro personal de servicio al cliente está listo para proveer asistencia. En el caso de una parte dañada o faltante, la mayoría de las piezas de repuesto se envían desde nuestro centro.

Si necesita ayuda inmediata con el montaje, o para obtener información adicional sobre el producto, visite www.YardForceUSA.com support@ForceToolsUSA.com o correo electrónico

SAVE THIS MANUAL FOR REFERENCE

You will need this manual for safety instructions, operating procedures, and Warranty. The original sales invoice is required for warranty service.

GUARDE ESTE MANUAL DE REFERENCIA

Usted necesitará este manual para las instrucciones de seguridad, los procedimientos operativos y de Garantía. La factura de compra original se requiere para el servicio de garantía.

TABLE OF CONTENTS

Important safety instructions	2
Safety features	5
Parts and diagram list	6
Assembly and operation instructions	8
Machine assembly	8
Operation instruction	11
Shutting down and storage	16
Cleaning and maintenance	17
Troubleshooting	18
Technical data	21
Warranty	21

IMPORTANT SAFETY INSTRUCTIONS

Please read all of the safety precautions before operating this machine every time. Please pay particular attention to all sections with following symbols.



WARNING

Could cause injury or death if not followed



CAUTION

Could damage machine if not followed



WARNING

When using this product, basic precautions should always be followed, including:

- 1. Read all instructions before using the product.**
- 2. To reduce the risk of injury, do not operate the machine near children.**
- 3. Learn how to stop this product and release pressure quickly. Be thoroughly familiar with the controls.**
- 4. Stay alert - watch what you are doing.**
- 5. Do not operate this product when fatigued or under the influence of alcohol or drugs.**
- 6. Keep operating area clear of all people and pets.**
- 7. Do not stand on unstable surfaces. Do not overreach or stand on unstable support. Keep good footing and balance at all times.**
- 8. Follow the maintenance instructions specified in the manual.**
- 9. If replacement of the plug or cord is needed, use only identical replacement parts.**
- 10. This product or its power cord contains lead, a chemical known to cause cancer, birth defects or other reproductive harm. Wash hands after handling.**



WARNING

Risk of injury Injection Hazard

- Equipment can cause serious injury if the spray penetrates the skin.**
- Do not point the gun at anyone or any part of the body. In case of penetration, seek medical aid immediately.**



WARNING

Risk of injury

Do Not direct discharge stream at self or other persons.

- High-pressure jet can be dangerous if misused.**
- The jet must not be directed at persons, animals, electrical devices, or the unit itself.**



WARNING

Risk of Explosion - Do not spray flammable liquids

- **Do not use acids, alkaline, solvents or any flammable material in this product. These products can cause physical injuries to the operator and irreversible damage to the machine.**



WARNING

Risk of Electric Shock

- **Inspect cord before using - do not use if cord is damaged.**
- **Keep all connections dry and off the ground.**
- **Do not touch plug with wet hands.**



CAUTION

Gun Kick Back

- **Hold with both hands.**
- **The trigger gun safety lock prevents the trigger from being engaged accidentally.**
- **The safety feature DOES NOT lock trigger in the ON position.**

GENERAL SAFETY RULES

1. Never operate the machine without all components properly connected to the machine (handle, gun/wand assembly, nozzle, etc.).
2. Never operate pressure washer with broken or missing parts. Check equipment regularly and repair or replace worn or damaged parts immediately.
3. Never put hand or fingers over the nozzle or spray tip while operating the unit.
4. Never spray flammable liquids or use pressure washer in areas containing combustible dust, liquids or vapors. An electric spark could cause an explosion.
5. Never leave the wand unattended while the machine is running or switched on.
6. Never disconnect the high pressure discharge hose from the machine while the system is pressurized. To depressurize machine, turn power and water supply off, then depress gun trigger 2-3 times.
7. Never cover the pressure washer during operation to allow free air cooling.
8. Always wear safety glasses or goggles when operating or performing maintenance.
9. Always move switch on unit to "OFF" (O) position before connecting or disconnecting cord to electrical outlets.
10. Always turn water supply "on" before turning pressure washer "on" unless draining for storage. Running pump dry causes serious damage.
11. Always hold gun and wand firmly when starting and operating the machine.
12. Always follow detergent manufacturer's label recommendations for proper use of detergents. Always protect eyes, skin and respiratory system from detergent if used.
13. Always lock the trigger of spray gun in the safety position when not in use.
14. Do not use pressure that exceeds the operating pressure of any of the parts (hoses, fittings, etc.) in the pressurized system. Never use with any other manufacturer's accessories or components.

15. Do not spray electrical apparatus and wiring or the machine itself.
16. Do not operate the pressure washer with the inlet water filter screen removed. Keep filter clear of debris and sediment.
17. Discharge residual pressure by depressing the trigger until no more water comes out of the nozzle.
18. Keep clear of nozzle. Never direct high pressure spray at any person, animal or self.
19. To minimize the amount of water getting into the pressure washer, the unit should be placed as far as possible from the cleaning site during operation.

GROUND FAULT CIRCUIT INTERRUPTER PROTECTION

This pressure washer is provided with a Ground Fault Circuit Interrupter (GFCI) built into the power supply cord. This device provides additional protection from the risk of electrical shock. Should replacement of the plug or cord become necessary, use only identical replacement parts that include GFCI protection. See Page 5 for testing procedure.




WARNING

Connect directly to outlet. Do not use machine with extension cord. The use of an extension cord will override the GFCI built into the plug of the power supply cord resulting in the risk of electrical shock.

DOUBLE-INSULATION INSTRUCTION



In a double-insulation product, two systems of insulation are provided instead of grounding. No grounding is provided on a double-insulated product, nor should a means for grounding be added to the product. Servicing a double-insulated product requires extreme care and knowledge of the system, and should be done only by qualified service personnel. Replacement parts of a double-insulated product must be identical to the parts they replace. A double-insulated product is marked with the words “**DOUBLE-INSULATION**” or “**DOUBLE-INSULATED**”.

The symbol “” may also be marked on the product.

SAFETY FEATURES

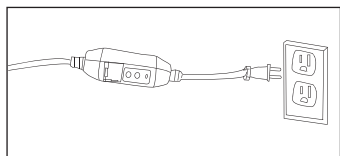
TOTAL STOP SYSTEM (TSS)

The pressure washer is equipped with a total stop system (TSS) that will sense when the trigger on the gun is depressed or released. It will open the power circuit to the motor, and cause the pressure washer motor to stop. The motor will start again when the trigger is depressed.



WARNING

The pressure washer is also equipped with a main power “ON/OFF” (I/O) switch located on the unit. It should always be moved to the “OFF” (O) position when the pressure washer is not being used to prevent possible injury or damage.



Ground Fault Circuit Interrupter Protection

This device provides additional protection from the risk of electrical shock. Plug the Ground Fault Circuit Interrupter (GFCI) into a power outlet. Indicator should turn red. **TEST BEFORE EACH USE.** Press the “TEST” button. Red indicator should disappear. Press “RESET” button again for use. Do not use if above test fails.

EXTENSION CORDS

If possible, do not use extension cords with this product. However, if you must use one, observe all of the warnings and instructions listed below:

Use a sufficient gauge:

Maximum extension cord length: 50' (15.2 m). Only use 12 or 14 AWG rated extension cords.

- Use only extension cords that are intended for outdoor use. These extension cords are identified by a marking that reads “Acceptable for use with outdoor appliances; store indoors while not in use.”
- Use only extension cords having an electrical rating not less than the rating of the product.
- Do not use damaged extension cords. Examine extension cord before using and replace if damaged. Do not abuse extension cord and do not yank on any cord to disconnect.
- Keep cord away from heat and sharp edges.
- Always disconnect the extension cord from the receptacle before disconnecting the product from the extension cord.
- To reduce the risk of electric shock, keep all connections dry and off the ground.

Do not touch plug with wet hands.



CAUTION

This machine has been designed for use with detergents that are specifically approved for pressure washer use. The use of other cleaning detergents may affect the operation of the machine and void the warranty.

PARTS AND DIAGRAM LIST

PARTS AND DIAGRAM LIST

Fig. 1

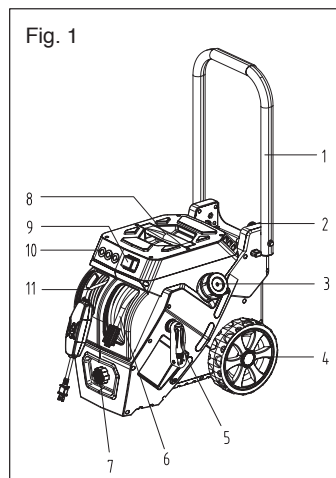


Fig. 2

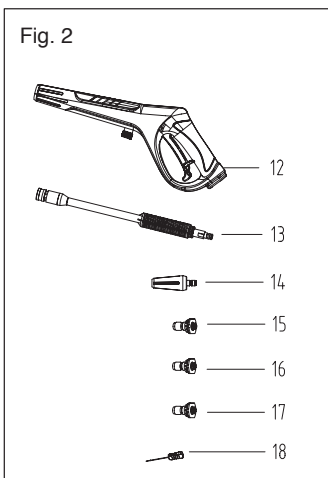
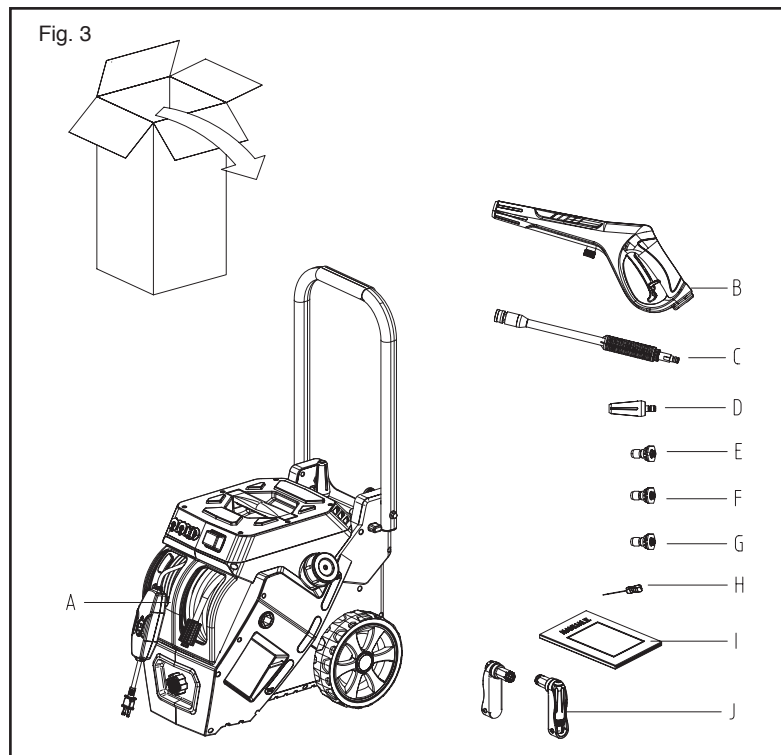


Fig. 3



Parts #	Quantity	Description
1	1	Handle
2	1	Handle locking pin
3	1	Detergent tank cap
4	2	Wheel
5	2	Crank handle
6	1	High pressure hose
7	1	Water inlet
8	1	Carrying handle
9	1	ON/OFF switch
10	3	Nozzle storage holders
11	1	Power cord
12	1	Spray gun trigger handle
13	1	Quick-connect wand
14	1	Turbo tip
15	1	15° tip (yellow)
16	1	40° tip (white)
17	1	Soap tip (black)
18	1	Tip cleaning needle

Check contents of the box

As shown in Fig. 3

Carefully remove the pressure washer and parts from its packaging. Identify all the parts packaged in the carton against the parts list. Please contact our customer service center (Monday - Friday 8:30AM - 5:00PM ET) at (866) 902-9690 if anything is missing.

- | | |
|-----------------------------|------------------------|
| A. High-pressure washer | F. 40° tip (white) |
| B. Spray gun trigger handle | G. Soap tip (black) |
| C. Quick-connect wand | H. Tip cleaning needle |
| D. Turbo tip | I. Operating manual |
| E. 15° tip (yellow) | J. Crank handle |



WARNING: If any parts are damaged or missing, do not operate this tool until the missing parts are replaced. Failure to heed this warning could result in serious personal injury.



NOTE! Always recycle the packaging in accordance with local recycling codes.

ASSEMBLY AND OPERATION INSTRUCTIONS

Surface Preparation

Before starting any cleaning task, it is important to inspect the area for objects that could create a hazard. Remove any objects from the work area that could be tripped over, such as toys or outdoor furniture. Ensure that all doors and windows are closed tightly.

Water Supply (Cold Water Only)

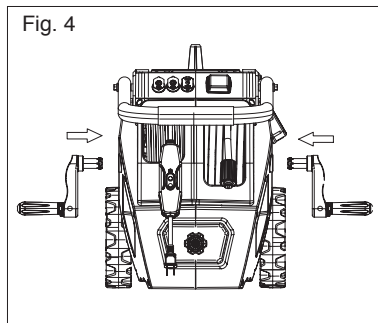
Only draw water through the unit. For use with cold water supply only. Garden hose must be at least a 1/2" (13 mm) in diameter. Flow rate of water supply must not fall below 2 GPM (gallons per minute) [9.1 LPM (liters per minute)]. Flow rate can be determined by running the water for one minute into an empty 5-gallon (19 L) container. The water supply temperature must not exceed 104°F (40°C).



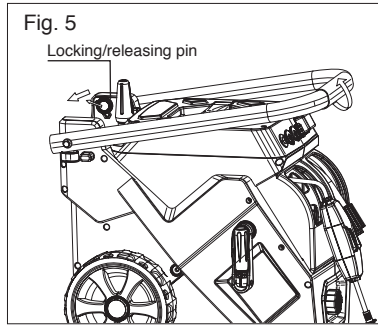
CAUTION

- Never use the pressure washer to draw in water contaminated with solvents (e.g. paint thinners, gasoline, oil, etc.).
- Dirt in the water inlet will damage the unit. To avoid this risk, we recommend checking the water filter (located inside the water inlet. To clean it out, see Maintenance section).
- Always prevent debris from being drawn into the unit by using a clean water source and an additional accessory water filter if required.
- To prolong the life of the unit, rest the unit for 5 minutes after every 30 minutes of use.

MACHINE ASSEMBLY



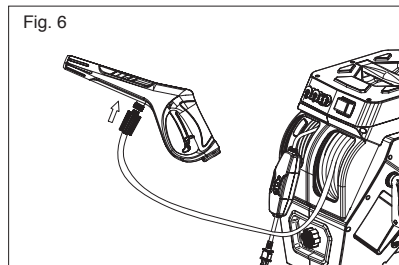
Attach hand cranks onto the hose reel and cord reel on both sides.



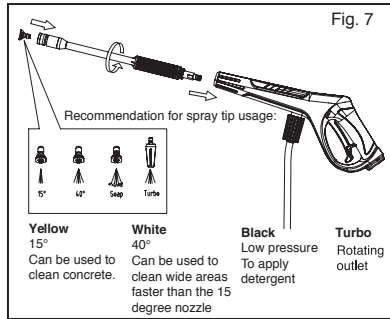
1. Pull the Locking/releasing pin outward on the left side of the machine, so that the locking/releasing pin stays clear of the original hole where it was seated and hold it in place with one hand.
2. While turning the handle upward with the other hand, it can rotate around its pivot. At this moment it allows release the locking/releasing pin, so that it can depress against the surface of the handle.
3. Keep rotating the handle until the locking/releasing pin slips into another hole on the same side of the handle, before using this device, ensure that it is fully engaged into this hole.

To fold the handle

1. This operating procedure is the same as above mentioned.
2. The difference is turning the handle downward.



Attach high pressure hose from hose reel to the gun wand, hand tighten until two parts are locked.

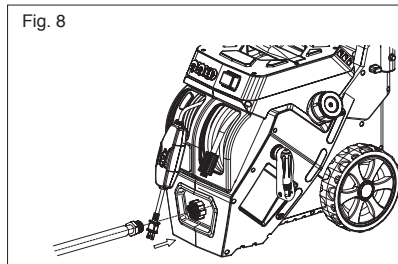


Attach desired color coded spray tip to quick - connect wand by pushing to ensure it is clicked in securely. Insert quick-connect wand into the gun wand, hand tighten until two parts are locked.

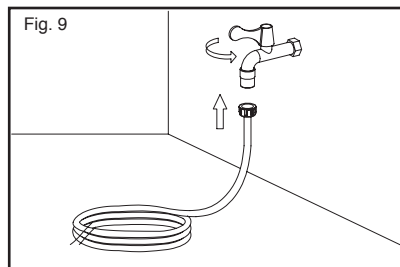


CAUTION

Placing any spray tip too close to a surface can result in permanent damage to the surface being sprayed. Maintain at least a 24" distance between the tip and the surface being sprayed until you have determined it is safe to move the tip closer to the surface.



Attach the garden hose to the water inlet (hand tighten only).



Attach garden hose to water supply and turn water valve on to the fall on position. The water temperature must not exceed 40°C(104°F) and the supply pressure must be between 40 to 80 PSI.



CAUTION

The pressure washer must only be used with clean water. Use of unfiltered water or corrosive chemicals will damage the pressure washer. This pressure washer is not intended to pump hot water. Never connect it to a hot water supply as it will significantly reduce the life of the pump.

OPERATION INSTRUCTIONS



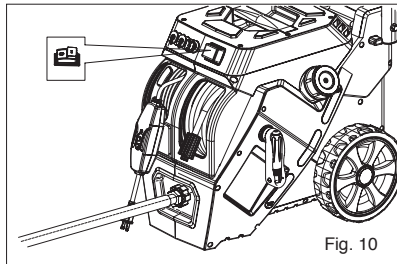
WARNING

Risk of injury, Do Not Direct discharge stream at self or other persons.

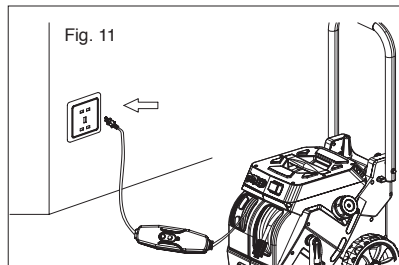


WARNING

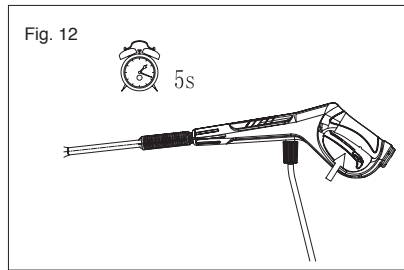
Before cleaning any surface, an inconspicuous area should be cleaned to test spray pattern and distance for maximum cleaning results.



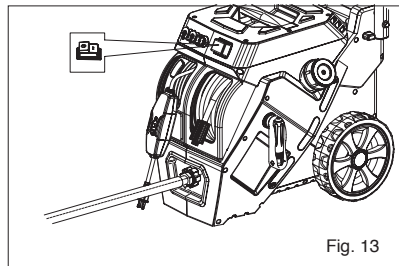
Make sure the ON/OFF switch is on the OFF position before plugging in the unit, press the switch button with mark “O” to ensure it is off.



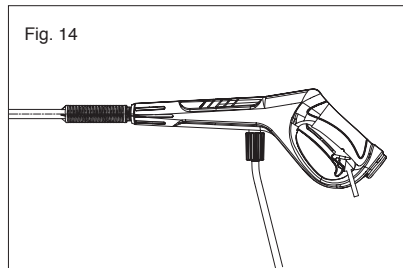
Completely unwind power cord and plug the unit into an outlet.



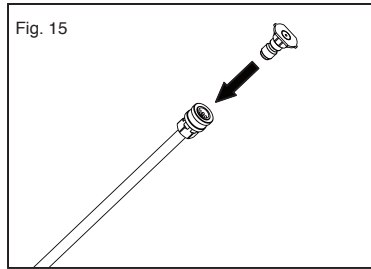
Ensure the gun safety latch is released by pushing it down and engage the trigger for a few seconds to discharge the residual pressure in the high pressure hose.



Turn ON the pressure washer by pressing the button with mark " I ". The unit will run for a few seconds to build up pressure, then will stop on the function of total stop system (TSS).



Depress the gun trigger until there is a steady stream of water. Change the spray tip as per the recommendation above if necessary. Before changing spray tip, switch the machine off, depress trigger to release pressure and activate gun safety latch.



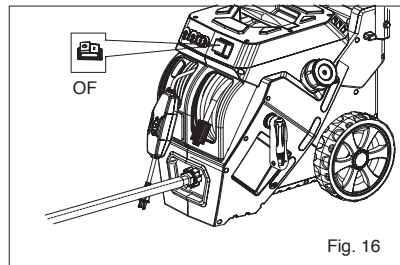
CAUTION

Make sure spray tip and wand is well locked. Do not move the spray tip while trigger is depressed.



CAUTION

If painted surfaces are peeling or chipping, use extreme caution as pressure washer may remove the loose paint from the surface. For most cleaning applications, a twenty degree (20°) spray angle be recommended to avoid damage to the surface being sprayed. The pressure of spray on the surface will increase when you move the wand closer to the surface.



Turn off the pressure washer by pressing the switch button with mark “ O ”, activate the safety latch for a break. For storage, drain machine after use by removing water connection, turning ON the machine for a few seconds and depressing gun trigger to release remaining water in the pump. Turn OFF immediately.

CLEANING DETERGENTS DISPENSER

Only use cleaning detergents recommended for pressure washers. Always follow detergent manufacturer’s label recommendations for proper use of detergents or soap. Always protect eyes, skin and respiratory system from detergent if used.



CAUTION

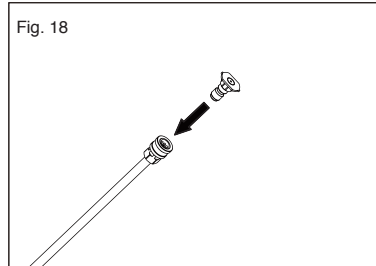
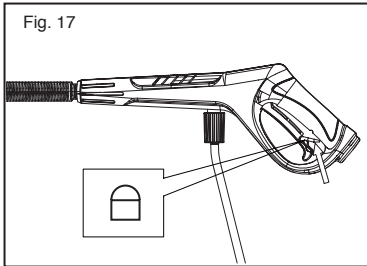
Working with detergent ensures a quick soaking of the dirt, and allows the high- pressure water to penetrate and remove the dirt more effectively. Always spray detergent on a dry surface, do not pre-soak area. Wetting the surface first dilutes the detergent and reduces its cleaning ability.

To apply detergents you must be operating at low pressure. This provides a gentle application of detergent, with the pressure equivalent to the lowest garden hose. The high-pressure setting is used for cleaning, **you cannot apply detergents when working at high pressure.**

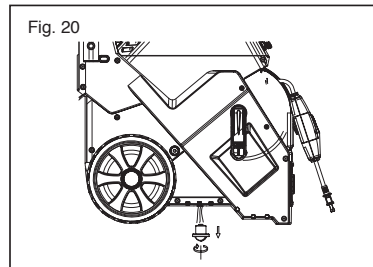
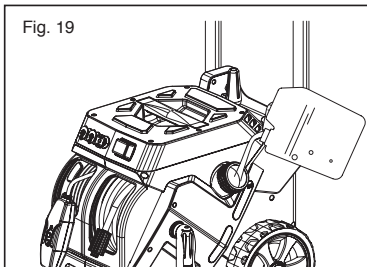
Always test detergent in an inconspicuous area before use.

NO BLEACH

1. Engage gun safety lock.



2. Attach the low-pressure spray tip (black) for soap or detergent application. Detergent application will only work with low pressure spray tip.



3. As shown Fig.19 Lift up to remove the cap of detergent tank, fill tank with detergent or soap and replace the cap. Apply detergent as instructed by the detergent manufacturer.
4. Turn on the pressure washer. Depress trigger to operate unit. The liquid detergent will automatically mix with water, and be discharged through the nozzle. Apply detergent to a DRY work surface, from bottom to top.
5. Allow detergent to remain on the surface for a short time before rinsing. Do not allow detergent to dry on surface.

6. Rinse with clean water under high pressure. On a vertical surface, rinse from the bottom up, then rinse from the top down to avoid streaking. Hold nozzle 6-8" (15-20 cm) from the cleaning surface, at a 45° angle.
7. As shown Fig.20 When you have finished using the detergent injection system, if certain amount of remaining detergent still exist in detergent tank.
 - Drain it by unscrewing the threaded plug, which is located at the bottom of device.
 - Secondly, put the threaded plug back into place.
 - Fill detergent tank with clean water. Siphon water by using soap tip for one minute, so that all detergent is flushed through system.



CAUTION

Fail to follow detergent clean procedure will cause the dispensing system to become clogged.

Damage may occur to painted surface if chemical is allowed to dry on surface. Wash and rinse a small section at a time. Avoid working on hot surfaces or in direct sunlight.

Never use:

- **Bleach, chlorine products and other corrosive chemicals**
- **Liquids containing solvents (i.e., paint thinners, gasoline, oils)**
- **Tri-sodium phosphate products**
- **Ammonia products**
- **Acid-based products**

These chemicals will harm the unit and will damage the surface being cleaned.

SHUTTING DOWN AND STORAGE

1. (If you are not using detergent, go directly to Step 2.) When you have finished using the detergent dispensing system, fill detergent tank with clean water to rinse the system clean. Depress the gun trigger for one minute at low pressure so that all detergents remaining in system are thoroughly flushed out. Remove detergent tank to empty the remaining water, and rinse it until it is thoroughly cleaned.
2. Turn off water supply and disconnect the garden hose from the faucet and the water inlet on the unit.
3. Depress the gun trigger for a few seconds to release any remaining water until water spray stops, turn off unit immediately.
4. Unplug power cord from the power outlet and wrap it into the cable reel by rotating the reel with hand crank.
5. For storage, disconnect the high pressure hose from the gun wand and wrap hose into the hose reel by rotating the reel with hand crank.
6. Engage gun safety latch and disconnect the quick – connect wand from gun wand, disassembly and replace the spray tip to tip holder on the unit, insert the wand into the wand holder, turn back the hand to the down position.
7. Store the machine and accessories in a room that does not reach freezing temperatures. Do not store near furnace or other sources of heat as it may dry out the pump seals.



WARNING

Turn off water supply and squeeze trigger to depressurize the unit. Failure to do so could result in personal injury due to discharge of high-pressure water.

Optimum Winterizing Procedure

Winterizing your pressure washer will help protect and prolong its life. We strongly recommend you follow the below steps using ***Pressure Washer Pump Saver**. This will keep the internal parts lubricated, protected from rust, and prevents the pump from freezing.

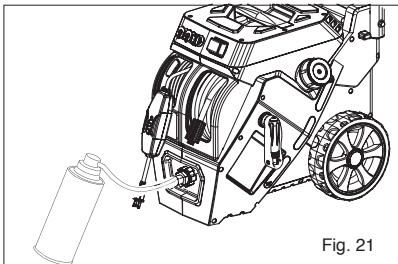


Fig. 21

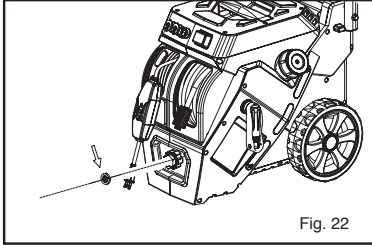
1. Connect Pressure Washer Pump Saver hose onto the water inlet.
2. Depress button on top of pump saver container.
3. Continue until fluid exits the pressure hose for 15 seconds.
4. Remove the hose from pump inlet (water inlet).

***Pressure Washer Pump Saver not included**

CLEANING AND MAINTENANCE

Water Filter Screen

The pressure washer is equipped with a water inlet filter screen to protect the pump. If the screen is not kept clean, the flow of water to the pressure washer will be restricted and the pump may be damaged.



1. To clean inner water screen, remove the inlet adaptor and remove the filter screen from the pump inlet.
2. Rinse screen until it is free of debris and blockage.
3. Replace screen immediately to prevent any foreign matter from entering the pump.

A clogged water filter screen can cause excessive pressure to build-up in the pressure washer's pump. The wand's water filter screen should be cleaned regularly to avoid damaging the wand or pump.

1. Using needle-nose pliers, carefully take the water filter screen out of the wand.
2. Clean the water filter screen by carefully inserting the water filter cleaning tool provided or a thin and sharp instrument (e.g. paperclip) into the filter to remove any dirt deposited. Rinse with clean water.
3. Using needle-nose pliers, carefully reinsert the water filter screen into the wand. Ensure the screen fits tightly into the wand's water inlet opening.

Main body cleaning

Use only mild soap and damp cloth to clean the main body.



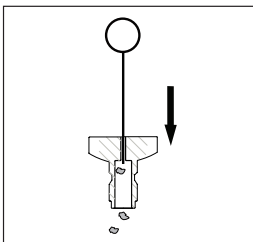
WARNING
Never use the unit to clean itself.

Connections

Connections on pressure washer hoses, gun and spray wand should be cleaned regularly and lubricated with non-water soluble grease.

Spray Tips Only

Clogging of the spray tips causes the pump pressure to be too high and cleaning is immediately required. Clean the spray tips by carefully inserting a needle provided or a thin and sharp instrument (e.g. paperclip) into the tip to remove any dirt deposited.



WARNING
To assure product safety and reliability, repairs should be performed by authorized service centers or other qualified service personnel, always use identical replacement parts.

TROUBLE SHOOTING

Disconnect the machine from the power source before making any repairs.

Symptom	Cause	Solution
Motor does not run when "ON" (I), fully connected and trigger depressed.	On/Off switch is in the "OFF" (O) position.	Turn switch to the "ON" (I) position.
	Power cord is not plugged in.	Plug in power cord.
	Extension cord is too long. Extension cord is not proper gauge. Extension cord is damaged.	Replace extension cord with either a 25' (7.6 m) 14/3 gauge cord or a 50' (15 m) 14/3 gauge cord.
	Electrical outlet does not supply adequate power.	Try a different outlet.
	Tripped pressure washer thermal protector.	Allow to cool, and restart unit.
Unit does not reach high pressure.	Diameter of garden hose is too small.	Replace with a 1" (25 mm) or 5/8" (16 mm) garden hose.
	Water supply is restricted.	Check garden hose for kinks, leaks and blockage.
	Not enough water supply.	Open water source fully.
	Water inlet filter is clogged.	Remove filter and rinse in warm water.
	Power nozzle is in lowpressure position.	Replace with desired highpressure tip.
	Pump is sucking air.	Check that hoses and fittings are airtight. Turn OFF machine, and purge pump by squeezing trigger gun until a steady flow of water emerges through the nozzle.

Output pressure varies high and low.	Not enough inlet water supply.	Turn water on fully. Check garden hose for kinks, leaks or blockage.
	Pump is sucking air.	Check that hoses and fittings are airtight. Turn OFF machine, and purge pump by squeezing trigger gun until a steady flow of water emerges through the nozzle.
	Water inlet filter is clogged.	Remove filter and rinse with warm water.
	Discharge nozzle is obstructed.	Blow out or remove debris with a fine needle.
	Calcified gun, hose or power nozzle.	Run distilled vinegar through detergent tank.
Detergent is not working.	Detergent container is empty.	Add more detergent.
	Detergent bottle or suction tube not properly connected.	Check connections.
	Detergent is too thick.	Dilute detergent.
	Filter on detergent suction tube is clogged.	Run warm water through filter to remove build-up.
	Damaged or clogged detergent suction tube.	Remove obstruction or replace detergent suction tube.
	Nozzle is in high-pressure position.	Use low pressure (black) tip.
	Discharge nozzle is obstructed.	Blow out or remove debris with a fine needle.
Garden hose connection leaks.	Loose fittings.	Tighten fittings.
	Missing / worn rubber washer.	Insert new washer.
Spray wand, extension, or nozzle leaks.	Spray nozzle not properly attached.	Ensure quick-connect wand is attached securely. Ensure spray tip is clicked in securely.
	Broken o-ring or plastic insert.	Call the Toll-Free Hotline.

Pump is noisy.	Pump is sucking air.	Check that hoses and fittings are airtight. Turn off machine and purge pump by squeezing trigger gun until a steady flow of water emerges through the nozzle.
	Water filter is clogged.	Remove water filter and rinse in warm water.
Water leaks from pump (up to 10 drops per minute is permissible).	Loose fittings.	Check that all fittings are tight.
	Water seals are damaged or worn.	Call the Toll-Free Hotline.
Oil is dripping.	Oil seals are damaged or worn.	Call the Toll-Free Hotline.
Motor buzzes but fails to run.	Supply voltage below minimum.	Verify that only the pressure washer is running on this circuit.
	System has residual pressure.	Turn unit OFF, squeeze trigger on spray wand to release pressure, then turn unit ON.
	Voltage loss due to extension cord.	Unplug any extension cords attached and plug the unit directly into the outlet.
Motor buzzes but fails to run. (continued)	Pressure washer not used for long periods.	Call the Toll-Free Hotline.
	Residual friction among components. Unit might hum.	Disconnect water supply and power ON for 2 to 3 seconds, repeat couple times or until the motor starts.
No water.	Water supply is OFF.	Turn ON water supply.
	Kink in the garden hose.	Remove kink in garden hose.

If you have any questions, visit our website for key FAQ's, downloadable troubleshooting steps, instructional videos, and replacement parts purchase at www.ForceToolsUSA.com, or call our toll free hotline: **1-866- 902-9690**.

TECHNICAL DATA

Model	YF1800LR
Input voltage rating	120 V , 60 Hz
Rated Power	13A
Working pressure	1700 PSI
Max pressure	1800 PSI
Rated Flow rate	1.20 GPM (275 LPH)
Max. Flow rate	1.35 GPM (306 LPH)
Inlet pressure	44 PSI
Supply water temperature (max.)	Cold tap water 104°F (40°C)
Electrical cord	35 ft. (10.7m)
High-pressure hose	25 ft. (7.6m)
Detergent injection rate	3%~12%

WARRANTY

Product Warranty

Please keep your original purchase receipt in a safe place as proof of purchase. Warranty coverage for this product must be verified by the original purchase receipt. The warranty period begins on the day that the product was purchased from an authorized retailer of Yard Force products. Warranty coverage only applies to the original purchaser and is not transferrable. Warranty coverage is only provided on products purchased from authorized Yard Force retailers.

Warranty only applies to products purchased and OPERATED in the USA. Any product purchased or operated outside of the USA is not covered by any warranty.

(2) Two-Year Warranty – Pump and Motor

The YF1800LR has a 2-Year Limited Warranty on the electric motor and water pump from the date of purchase against manufacturer defects for residential use only.

Commercial use voids the warranty. This warranty does not cover accidental damage, unreasonable use, normal wear and tear, neglect or non-compliance with the Operating, Safety and Maintenance Instructions. All service, outside of normal maintenance as described in this manual, must be done by an authorized service technician. Any unauthorized service or changes to the original configuration of this product will void the warranty. All parts and accessories used on and with this product must be manufactured and/or authorized by SUMEC North America.

(90) Ninety-Day Warranty – Accessories

The accessories included with the **YF1800LR** including hose, trigger handle and wand, and other similar parts are warranted against manufacturer defects for residential use only for a period of 90 days from date of purchase.

Warranty does not cover loss of use or other consequential damages arising from any of the above, nor does it cover repairs made or attempted by unauthorized persons. This warranty is void if the product is used for commercial, rental or industrial purposes. Certain parts, attachments and accessories are subject to normal wear and tear and are excluded from the warranty.

Service and Warranty Claims Process

Contact the Yard Force Support Center toll-free at (866) 902-9690 Monday-Friday between 8:30 AM and 5:00 PM Eastern Time for service and warranty support.

Yard Force Service Support agents can help you troubleshoot problems over the phone to get you back up and running as quickly as possible. In the situation where service or warranty inspection is needed, please follow these steps:

1. Call Yard Force at (866) 902-9690 Monday-Friday between 8:30 AM and 5:00 PM Eastern Time.
2. Send in proof-of-purchase and serial number (if applicable) to confirm warranty Coverage as directed by Yard Force.
3. If service or a warranty evaluation is requested, Yard Force will provide an RGA number that should be used in all communications with Yard Force and is required to be indicated on the product itself and on the outside of the box.
4. All shipments to Yard Force must have an RGA number. Any shipment received that does not have an RGA number clearly marked on the outside of the box will be refused.
5. All shipments must be sent pre-paid, Yard Force does not pay for any shipping costs for service or warranty evaluation. Yard Force is not responsible for any packages that are lost by carrier. We recommend that shipments are made by a carrier that provides tracking and delivery confirmation.

For more information or to ask questions, please call toll-free (866) 902-9690 Monday-Friday between 8:30 AM and 5:00 PM Eastern Time.

SAVE THESE INSTRUCTIONS

TABLA DE CONTENIDO

Importantes instrucciones de seguridad	24
Función de seguridad	27
Lista de partes y diagrama	28
Instrucciones de montaje y operación	30
Montaje de máquina	30
Instrucción de operación	33
Cierre y almacenamiento	37
Limpieza y mantenimiento	38
Solución de problemas	40
Datos técnicos	44
Garantía	45

IMPORTANTES INSTRUCCIONES DE SEGURIDAD

Por favor lea todas las precauciones de seguridad antes de operar esta máquina en todo momento. Debe prestar especial atención a todas las secciones con los siguientes símbolos.



ADVERTENCIA

Podría causar lesiones o la muerte si no se siguen



PRECAUCIÓN

Could damage machine if not followed



ADVERTENCIA

Al utilizar este producto, las precauciones básicas deben ser siempre seguidas, incluyendo:

1. Lea todas las instrucciones antes de usar el producto.
2. Para reducir el riesgo de lesiones, no opere la máquina cerca de los niños.
3. Aprenda a apagar este producto y de liberación de presión rápidamente. Estar completamente familiarizado con los controles.
4. Manténgase alerta - observe lo que está haciendo.
5. No utilice este producto cuando está fatigado o bajo la influencia de alcohol o drogas.
6. Mantenga el área de operaciones libre de todas las personas y animales domésticos.
7. No se pare en superficies inestables. No estar demasiado lejos o estar de pie en el apoyo inestable. Mantenga los pies y equilibrio en todo momento.
8. Siga las instrucciones de mantenimiento especificadas en el manual.
9. Este producto está equipado con un Interruptor de circuito de falla a tierra (GFCI) integrado en el cable de alimentación. Si es necesaria la sustitución del enchufe o el cable, utilice sólo repuestos idénticos.
10. Este producto, o el cable de alimentación contiene plomo, que es una sustancia química que causa cáncer, defectos de nacimiento u otros daños reproductivos. Lávese las manos después de manipular.



ADVERTENCIA

Riesgo de lesión! Peligro de inyección

- El equipo puede causar lesiones graves si la rociadura penetra en la piel.
- No apunte la pistola a cualquier persona o cualquier parte del cuerpo. En el caso de la penetración, buscar ayuda médica inmediatamente.



ADVERTENCIA

Riesgo de lesión! No descargue la corriente directamente en usted mismo u otras personas.

- El chorro de alta presión pueden ser peligrosos si se utilizan mal.
- El chorro no debe estar dirigida a personas, animales, aparatos eléctricos, o la propia unidad.



ADVERTENCIA

Riesgo de explosión - No rocíe líquidos inflamables

- No utilice ácidos y solventes en este producto. Estos productos pueden causar lesiones físicas al operador y daños irreversibles a la máquina.



ADVERTENCIA

Riesgo de descarga eléctrica

- Inspeccione la médula antes de usar - no utilizarla si el cable está dañado.
- Mantenga todas las conexiones secas y fuera de la tierra.
- No toque el enchufe con las manos mojadas.



PRECAUCIÓN

Marca de regreso de pistola

- Sosténgala con ambas manos.
- El bloqueo de seguridad del disparador de pistola evita el gatillo de ser ocupados por accidente.
- La función de seguridad NO bloquear el gatillo en la posición ON.

REGLAS GENERALES DE SEGURIDAD

1. Nunca opere la máquina sin que todos los componentes correctamente conectado a la máquina (mango, pistola / asamblea de varita, boquilla, etc.).
2. Nunca opere la lavadora de presión con piezas rotas o faltantes. Compruebe con regularidad el equipo y reparar o reemplazar piezas dañadas o gastadas de inmediato.
3. Nunca coloque la mano o los dedos sobre la boquilla o la boquilla de aspersion durante el funcionamiento de la unidad.
4. Nunca rocíe líquidos inflamables o use la lavadora de presión en zonas con polvo combustible, líquidos o vapores. Una chispa eléctrica podría provocar una explosión.
5. Nunca deje la varita desatendido mientras la máquina está funcionando o encendido.
6. Nunca desconecte la manguera de descarga de alta presión de la máquina mientras el sistema está presurizado. Para despresurizar la máquina, apagar la energía y el suministro de agua , luego presione gatillo de la pistola 2-3 veces.
7. Nunca cubra la lavadora de presión durante la operación para permitir el enfriamiento de aire libre.
8. Siempre use gafas de seguridad al operar o realizar el mantenimiento.
9. Siempre mueva el interruptor de la unidad a la posición "OFF" antes de conectar o desconectar el cable a los enchufes eléctricos.
10. Encender siempre el suministro de agua antes de "encender" la lavadora a presión a menos de drenaje para el almacenamiento. El secar la bomba en funcionamiento causa daños graves.
11. Siempre sostenga la pistola y la varita firmemente al iniciar y operar la máquina.

12. Siempre siga las recomendaciones de la etiqueta del fabricante de detergentes para el uso correcto de los detergentes. Siempre proteger los ojos, piel y sistema respiratorio de detergente si se utiliza.
13. Siempre cierre con llave el gatillo de la pistola en la posición de seguridad cuando no esté en uso.
14. No use presión que supere la presión de funcionamiento de cualquiera de las partes (mangueras, conexiones, etc) en el sistema a presión. Nunca use con accesorios de cualquier otro fabricante o componentes.
15. No pulverizar aparatos y los cables eléctricos o la propia máquina.
16. No haga funcionar la lavadora de presión con el filtro de entrada de agua eliminado. Mantenga el filtro claro de los desechos y sedimentos.
17. Descargar la presión residual presionando el disparador hasta que no haya más agua que sale de la boquilla.
18. Manténgase a distancia de la boquilla. Nunca apunte el aerosol de alta presión a cualquier persona, animal o por usted mismo.
19. Para minimizar la cantidad de agua que se introduce en la lavadora de presión, la unidad debe ser colocada en lo más lejos posible al sitio de limpieza durante la operación.

PROTECCIÓN DE INTERRUPTOR DE CIRCUITO DE FALLA A TIERRA DE PROTECCIÓN

Esta lavadora de presión se suministra con un Interruptor de circuito de falla de tierra (GFCI) integrado en el cable de alimentación. Este dispositivo proporciona una protección adicional contra el riesgo de descarga eléctrica. En caso de sustitución de la bujía o el cable de ser necesario, utilice sólo repuestos idénticos que incluyan protección GFCI. Consulte la página 28 para el procedimiento de prueba.




ADVERTENCIA

CONECTARSE DIRECTAMENTE A LA SALIDA. NO SE RECOMIENDAN UTILIZAR CABLES DE EXTENSIÓN. EL USO DE UN CABLE DE EXTENSIÓN ANULARÁ EL GFCI INCORPORADO EN EL ENCHUFE DEL CABLE DE SUMINISTRO DE ENERGÍA RESULTANTE EN EL RIESGO DE DESCARGA ELÉCTRICA.

INSTRUCCIÓN DE DOBLE-AISLAMIENTO DE LA INSTRUCCIÓN



En un producto de doble aislamiento, dos sistemas de aislamiento se proporcionan en lugar de puesta a tierra. No se proporciona conexión a tierra en un producto de doble aislamiento, tampoco necesita un medio para puesta a tierra añadido al producto.

Prestación de servicios de un producto de doble aislamiento requiere extremo cuidado y conocimiento del sistema, y debe hacerse únicamente por personal cualificado. Las piezas de recambio de un producto de doble aislamiento deben ser idénticas a las piezas que reemplazan. Un producto de doble aislamiento está marcado con las palabras “DOBLE AISLAMIENTO” or “DOBLE AISLA- MIENTO”. El símbolo “” también puede ser marcado en el producto.

FUNCIÓN DE SEGURIDAD

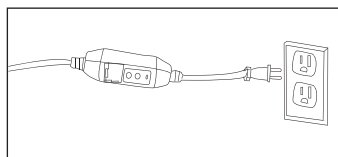
SISTEMA DE PARADA TOTAL (TSS)

La lavadora de presión está equipada con un sistema de parada total (SST) que detectará cuando el gatillo de la pistola está deprimido o en libertad. Se abrirá el circuito de potencia al motor, y hacer que el motor de lavar a presión para parar. El motor se iniciará de nuevo cuando se presiona el gatillo.



ADVERTENCIA

La lavadora de presión está también equipado con un interruptor de poder principal “ON / OFF” situado en la unidad. Siempre debe ser trasladado a “OFF” cuando la posición de la lavadora de presión no está siendo utilizado para evitar posibles lesiones o daños.



Protección de Interruptor de Circuito de Falla a tierra

Este dispositivo proporciona una protección adicional contra el riesgo de descarga eléctrica. Enchufear el interruptor de circuito de falla a tierra (GFCI) en una tomacorriente. El indicador debe convertirse en color rojo. **PRUEBA ANTES DE CADA USO.** Pulse el botón “Test”. El indicador rojo debería desaparecer. Presione el botón “RESET” de nuevo para su uso. No utilizar si la prueba anterior es de fracaso.

CABLE DE EXTENSIÓN

Si es posible, no utilice cables de extensión con este producto. Sin embargo, si usted debe usar uno, observar todas las advertencias e instrucciones que figuran a continuación:



ADVERTENCIA

Los cables de extensión no son recomendados a menos que estén conectados a un interruptor de circuito falla a tierra (GFCI) se encuentran en las cajas de circuitos o recipientes protegidos.

Utilice un indicador suficiente:

Longitud máxima del cable de extensión: 50' (15.2 m). Utilice sólo 12 o 14 AWG cables nominal es de extensión.

- Utilice únicamente cables de extensión que están destinados a ser utilizados al aire libre. Estos cables de extensión se identifican por medio de una marca que dice “aceptable para su uso con aparatos al aire libre,

almacenamiento en casa mientras que no esté en uso.”

- Utilice únicamente cables de extensión con un grado eléctrico no menos de la calificación del producto.
- No use cables de extensión dañados. Examine el cable de extensión antes de usarlo y reemplazelo si está dañado. No abuse del cable de extensión y no tire el cable para desconectarlo.
- Mantenga el cable lejos del calor y de bordes afilados.
- Siempre desconecte el cable de extensión del receptáculo antes de desconectar el producto de la extensión.
- Para reducir el riesgo de electrocución, mantenga todas las conexiones secas y fuera de la tierra. No toque el enchufe con las manos mojadas.



PRECAUCIÓN

Esta máquina ha sido diseñada para utilizarse con los detergentes que son específicamente aprobados para el uso de presión lavadora. El uso de otros detergentes de limpieza pueden afectar el funcionamiento de la máquina y anular la garantía.

LISTA DE PARTES Y DIAGRAMA

LISTA DE PARTES Y DIAGRAMA

Fig. 1

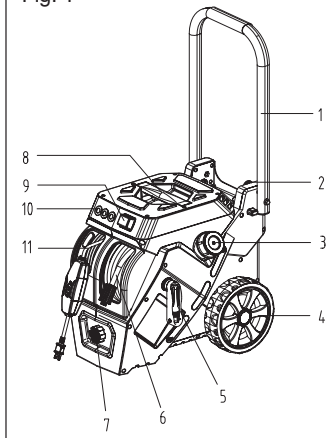


Fig. 2

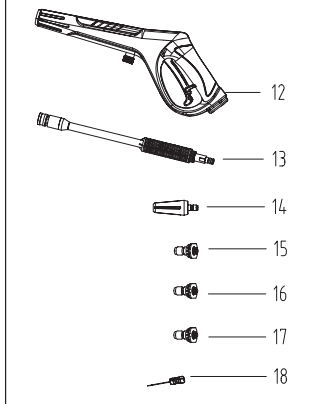
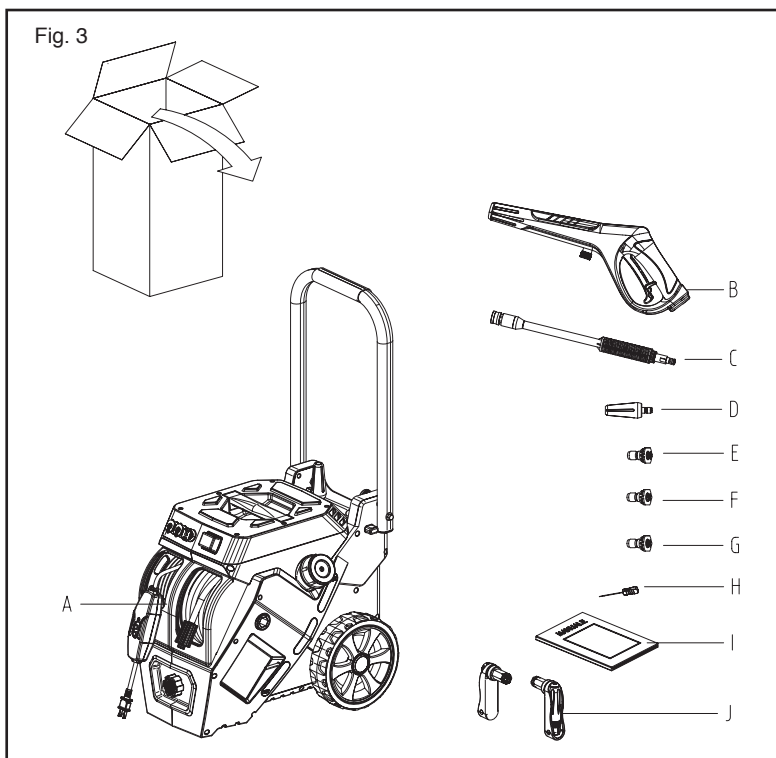


Fig. 3



Nº.ítem	Cantidad	Nombre de Parte
1	1	Mango
2	1	Manejar el pasador de bloqueo
3	1	Depósito de detergente
4	2	Rueda
5	2	Manivela
6	1	Manguera de alta presión
7	1	De entrada whater
8	1	Mango
9	1	Interruptor
10	3	Support de puntas de pulverización
11	1	Cable de alimentación
12	1	Varita de pistola
13	1	Varilla de conexión rápida
14	1	Turbo boquilla
15	1	15° boquilla de color amarillo
16	1	40°boquilla de color blanco
17	1	Negro boquilla para aplicar el detergente
18	1	Aguja (para la limpieza de boquilla)

Verificar el contenido de la caja

Como se muestra en la Fig. 3

Retirar con cuidado la lavadora a presión y partes de su embalaje. Identificar todas las piezas embaladas en la caja de cartón en contra de la lista de piezas. Por favor, póngase en contacto con nuestro centro de servicio al cliente (Lunes -Viernes 8:30AM - 5:00PM ET) al (866) 902-9690 si falta algo.

A. Lavadora Eléctrica de Presión Alta

B. Varita de pistola

C. Varilla de conexión rápida

D. Turbo boquilla

E. 15° boquilla de color amarillo

F. 40°boquilla de color blanco

G. Negro boquilla para aplicar el detergente

H. Aguja (para la limpieza de boquilla)

I. Manual

J. Manivela



ADVERTENCIA Si hay piezas dañadas o faltantes, no utilice esta herramienta sin haber reemplazado todas las piezas faltantes. La inobservancia de esta advertencia podría causar lesiones personales graves.



PRECAUCIÓN

Siempre recicle el embalaje de acuerdo con los códigos locales de Reciclaje.

INSTRUCCIONES DE MONTAJE Y OPERACIÓN

Preparación de superficie

Before starting any cleaning task, it is important to inspect the area for objects that could create a hazard. Remove any objects from the work area that could be tripped over, such as toys or outdoor furniture. Ensure that all doors and windows are closed tightly.

Abastecimiento de agua (Agua Fria Unicamente)

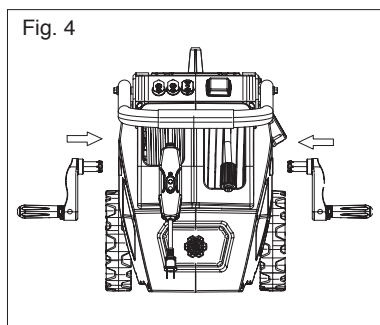
Para abastecer de agua la unidad tiene que ser unicamente agua fria, la manguera para jardín debe ser de por lo menos ½" (13 mm) de diametro. El flujo de agua no puede ser menor a 9,1 litros por minuto. El caudal puede ser determinado por la cantidad de agua que la maquina vacia en un recipiente vacio en un minuto. La temperatura de suministro de agua no debe exceder de 104°F (40°C).



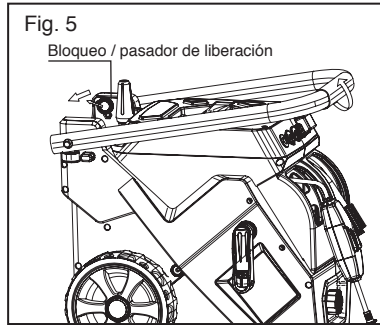
PRECAUCIÓN

- Nunca use la lavadora de presión para sacar el agua contaminada con disolventes (por ejemplo, disolventes de pintura, gasolina, aceite, etc.)
- Suciedad en la entrada de agua puede dañar la unidad. Para evitar este riesgo, se recomienda comprobar el filtro de agua (situado dentro de la entrada de agua. Para solucionar el problema, consulte la sección de Mantenimiento).
- Evitar siempre los desechos sean arrastrados a la unidad mediante una fuente de agua limpia y un filtro de agua de accesorios adicionales si es necesario.
- Para prolongar la vida de la unidad, hacer la unidad tener un descanso de 5 minutos después de cada 30 minutos de uso.

MONTAJE DE MÁQUINA



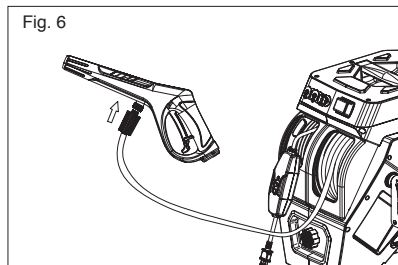
Adjuntar manivelas en el carrete y carrete de manguera de cable en ambos lados.



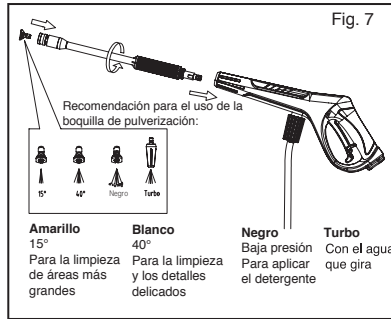
1. Tire del / pin liberación de bloqueo hacia afuera en el lado izquierdo de la máquina, de manera que el bloqueo / liberación de pasador queda clara del agujero original donde estaba sentado y mantenerlo en su lugar con una mano.
2. Levante el asa hacia arriba con la otra mano a la posición vertical completa. Suelte el pasador de bloqueo para que pueda insertar en el agujero en el mango.
3. Antes de utilizar este dispositivo, asegúrese de que el mango esté completamente enganchado en este agujero.

Para plegar el mango

1. Este procedimiento operativo es el mismo que el anteriormente mencionado.
2. La diferencia está girando el mango hacia abajo.



Conecte la manguera de alta presión de la manguera de carrete para la varilla de la pistola, apriete con la mano hasta que dos partes están bloqueados.

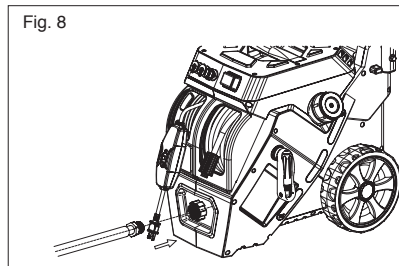


Coloque la boquilla de pulverización con código de color deseado para la varita de conexión rápida empujando para asegurarse de que se hace clic en forma segura. La pieza de inserción de conexión rápida varita varita en el arma, apretar la mano hasta que dos partes están bloqueados.

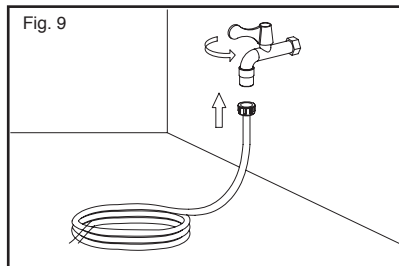


PRECAUCIÓN

Poner cualquier extremidad del spray demasiado cerca a una superficie puede dar lugar a daño permanente a la superficie que es rociada. Mantenga por lo menos un distancia de 24" entre la extremidad y la superficie que es rociada hasta que usted la haya determinado es seguro mover la extremidad más cercano a la superficie.



Instale la manguera de alta presión a la entrada de agua. Aprieta la manu- almente.



Conecte la manguera de jardín a la toma de completamente encendida. La temperatura

del agua no debe exceder del 40 (104°F) y la presión de suministro debe estar entre 40 a 80 PSI.



PRECAUCIÓN

La lavadora de presión papilla se utilicen únicamente con agua limpia. El uso de agua sin filtrar o sustancias químicas corrosivas dañará la lavadora de presión. Esta lavadora de presión no se destina a la bomba de agua caliente. Nunca se conecte a un suministro de agua caliente, ya que reducirá significativamente la vida de la bomba.

INSTRUCCIONES DE FUNCIONAMIENTO



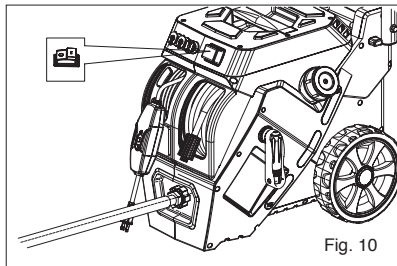
ADVERTENCIA

Riesgo de lesión, No descarga directamente corriente en él mismo o de otras personas.

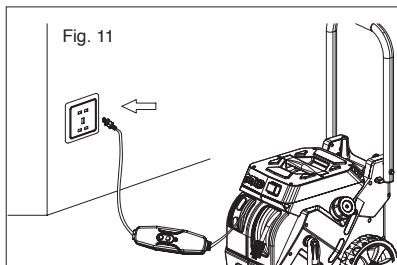


ADVERTENCIA

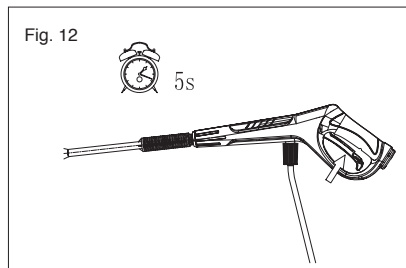
Antes de limpiar cualquier superficie, una zona no visible se debe limpiar para poner a prueba patrón de rociado y la distancia de los resultados de limpieza máxima.



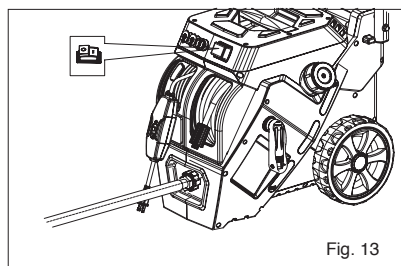
Asegúrese de que el interruptor ON / OFF está en la posición OFF antes de conectar la unidad, pulse el botón de interruptor con la marca "O" para asegurarse de que está apagado.



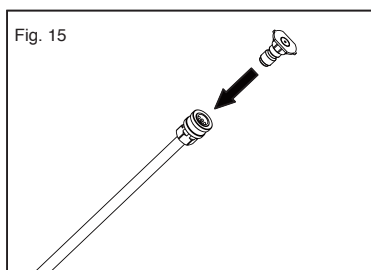
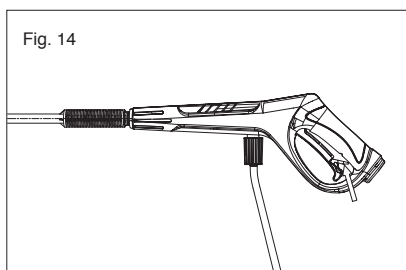
Relajarse completamente el cable de alimentación tirando y conecte el Interruptor de Circuito de Fallo a Tierra (GFCI) en una toma de corriente. El indicador debe convertirse en color rojo. PRUEBA ANTES DE CADA USO. Pulse el botón "Test". El indicador rojo debería desaparecer. Presione botón "RESET" de nuevo para su uso. No utilizar si el anterior falla.



Asegúrese de que el pestillo de seguridad de la pistola se libera empujándola hacia abajo y realizar el gatillo por unos segundos para descargar la presión residual en la manguera de alta presión.



Encienda el lavado a presión oprimiendo el botón con la marca "I". La unidad tendrá una duración de pocos segundos para construir la presión, entonces se detendrá en la función del sistema de parada total (TSS).



Presione el gatillo de la pistola hasta que haya un flujo constante de agua. Cambiar la boquilla según la recomendación anterior si es necesario. Antes de cambiar la boquilla

de aspersión, apague la máquina, presione para liberar la presión de activación y activar el pestillo de seguridad de pistola.



PRECAUCIÓN

Asegurar que se ha bloqueado la boquilla y la varilla en seguro. No mueva la boquilla mientras el gatillo está deprimido.



PRECAUCIÓN

Si las superficies pintadas son descamación o astillado, tenga mucho cuidado, como lavadora de presión puede quitar la pintura suelta de la superficie.

Para la mayoría de las aplicaciones de limpieza, un ángulo de pulverización de veinte grados (20°) se recomienda para evitar daños a la superficie sea rociada. La presión de rocío sobre la superficie aumentará cuando se mueve la varita más cerca de la superficie.

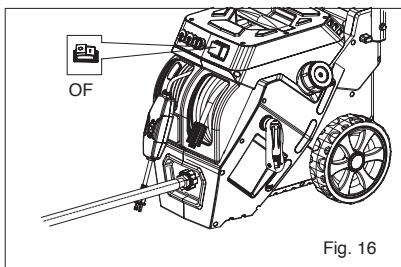


Fig. 16

Apague la lavadora de presión pulsando el botón de interruptor con la marca “O”,

Eteignez le pulvérisateur à haute pression en appuyant sur l'interrupteur avec la activar el pestillo de seguridad para un descanso. Para el almace- namiento, hacer la máquina realizar un drenaje después de su uso mediante la eliminación de las conexiones de agua, encendiendo la máquina durante unos segundos y gatillo de la pistola deprime para liberar agua que queda en la bomba. Apague inmediatamente.

CLEANING DETERGENTS DISPENSER

Sólo se recomienda utilizar detergentes para lavadoras de presión.

Siempre siga las recomendaciones de la etiqueta del fabricante de detergentes para el uso correcto de los detergentes o jabón. Siempre proteger los ojos, piel y sistema respiratorio de detergente si se utiliza.



PRECAUCIÓN

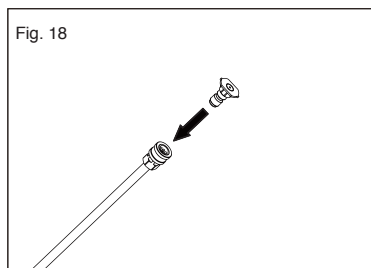
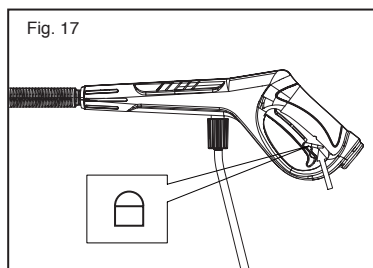
El trabajo con detergente asegura una rápida inmersión de la tierra, y permite que el agua a alta presión penetre y elimine la suciedad más eficazmente. Rocíe detergente siempre sobre una superficie seca, no pre-remojo zona. Mojar la superficie primera diluye el detergente y reduce su capacidad de limpieza.

Para aplicar detergentes siempre hagalo con baja presión. Esto proporciona

una suave aplicación de detergente, con la presión equivalente a una manguera de jardín más bajo. El ajuste de alta presión se utiliza para la limpieza, no puede aplicar detergentes al trabajar a alta presión. Siempre pruebe el detergente en un área poco visible antes de su uso.

NO BLANQUEE

- Participar de bloqueo de seguridad de pistola.
- Conecte la boquilla de baja presión (negro) para el jabón o la aplicación de detergente. La aplicación del detergente sólo se trabajará con baja presión de la punta de pulverización.
- Como muestra la figura 18. Levante de quitar la tapa del tanque de detergente, llene el tanque con detergente o jabón y ponga la tapa. Aplique detergente según las instrucciones del fabricante del detergente.



- Encienda la lavadora de presión. Presione el disparador para operar la unidad. El detergente líquido automáticamente se mezcla con agua, y se descarga a través de la boquilla. Aplique detergente a una superficie de trabajo SECA, de abajo hacia arriba.
- Permitir que el detergente para permanecer en la superficie por un corto tiempo antes de enjuagar. No permita que el detergente se seque en la superficie.
- Enjuague con agua limpia a alta presión. Sobre una superficie vertical, enjuague de abajo hacia arriba, luego enjuague de arriba hacia abajo evitando las rayas. Mantenga la boquilla 6-8" (15-20 cm) de la superficie de limpieza, un ángulo de 45°.
- Como se muestra la figura 19, cuando haya terminado de usar el sistema de inyección de detergente, si cierta cantidad de detergente que queda todavía existen en el depósito de detergente.
 - Escurrir desenroscando el tapón roscado, que se encuentra en la parte inferior de dispositivo.
 - En segundo lugar, poner el tapón roscado en su lugar.
 - Llenar el depósito de detergente con agua limpia. Sifón de agua mediante el uso de jabón para una punta minuto, de manera que todo el detergente se vacía a través del sistema.

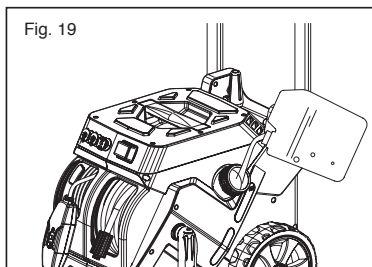


Fig. 19

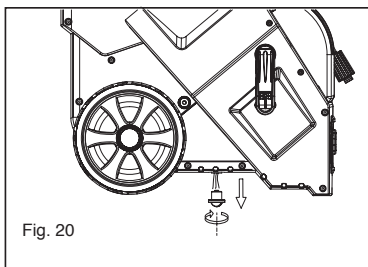


Fig. 20



PRECAUCIÓN

No seguir el procedimiento de detergente para limpiar hará que el sistema de dispensación se obstruya

El daño puede ocurrir en la superficie pintada si químicos se dejan secar sobre la superficie. Lave y enjuague una sección pequeña a la vez. Evite trabajar en superficies calientes o en la luz solar directa.

Nunca utilice:

- Lejía, productos derivados del cloro y otros químicos corrosivos
- Los líquidos que contengan disolventes (es decir, disolventes de pintura, gasolina, aceites)
- Producto de tri- sodio de fosfato
- Productos de amoníaco
- Producto de base ácido

Estos productos químicos dañarán la unidad y dañarán la superficie a limpiar.

CIERRE Y ALMACENAMIENTO

1. (Si no está usando el detergente, vaya directamente al Paso 2.) Cuando haya terminado de usar el sistema dispensador de detergente, llenar el depósito de detergente con agua limpia para enjuagar el sistema limpio. Presione el gatillo de la pistola durante un minuto a baja presión para que todos los detergentes que permanecen en el sistema son completamente purgada. Quite el tanque de detergente para vaciar el agua restante, y enjuague hasta que esté totalmente limpia.
2. Apague el suministro de agua y desconecte la manguera de la llave y la entrada de agua en la unidad.
3. Presione el gatillo de la pistola durante unos segundos para liberar cualquier resto de agua hasta que deje de pulverización de agua, apague la unidad inmediatamente.
4. Desconecte el Interruptor de Circuito de Fallo de Tierra (GFCI) a partir de la tomacorriente y envolver el cable de alimentación en el carrete de cable por la rotación de la bobina con manivela.
5. Para el almacenamiento, desconecte la manguera de alta presión de la varita de pistola y envolver la manguera en el carrete de manguera girando el carrete con la manivela.
6. Usar el pestillo de seguridad de pistola y desconecte la varita de conexión rápida desde la varita de pistola, desmontar y sustituir la boquilla al sostenedor de boquilla, insertar la varilla en el soporte de varilla, volver la mano a la posición hacia abajo.
7. Almacene la máquina y los accesorios en una habitación que no llega a temperaturas de congelación. No almacenar cerca de horno o de otras fuentes de calor, ya que puede secar los sellos de la bomba.

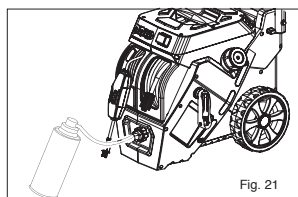


ADVERTENCIA

Apague el suministro de agua y deprimir el disparador para despresurizar la unidad. El no hacerlo podría resultar en lesiones personales debido a la descarga de agua de alta presión.

Procedimiento óptimo para el invierno

La anticongelación de la lavadora a presión ayudará a proteger la máquina y prolongar su vida. Le recomendamos que siga los pasos siguientes usando *Ahorro de la Bomba de Lavadora a Presión. Esto mantiene las partes internas lubricadas, protegidas contra la oxidación y evita que la bomba se congele.



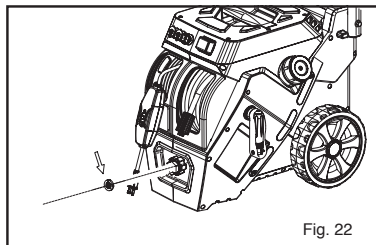
1. Conecte la manguera del Ahorro de la Bomba de Lavadora a Presión en el entrada de agua.
2. Presione el botón en la parte superior del envase protector de la bomba.
3. Continúe hasta que el líquido sale de la manguera de presión durante 15 segundos.
4. Retire la manguera de la entrada de bomba.

***Ahorro de la Bomba de Lavadora a Presión Lavadora a Presión no incluye**

LIMPIEZA Y MANTENIMIENTO

Pantalla de Filtro de Agua

La lavadora de presión está dotada de una pantalla de filtro de entrada de agua para proteger la bomba. Si la pantalla no se mantiene limpio, el flujo de agua a la lavadora de presión será limitado y la bomba puede estar dañado.



1. Para limpiar la pantalla de agua interior, retire el adaptador de entrada y borrar la pantalla de filtro de la entrada de la bomba.
2. Lavar la pantalla hasta que esté libre de residuos y el bloqueo.
3. Reemplace el filtro inmediatamente para evitar cualquier materia extraña de entrar en la bomba

Una malla de filtro de agua obstruida puede causar una presión excesiva en la bomba de la lavadora a presión. La malla de filtro de agua de la varilla deberá ser limpiada regularmente para evitar dañar la varilla o la bomba.

- Utilice las pinzas de punta de aguja para sacar la malla de filtro de agua cuidadosamente desde la varilla.
- Limpie la malla de filtro de agua con insertar cuidadosamente la herramienta de limpieza de filtro de agua suministrada o un instrumento delgado y afilado (por ejemplo, sujetapapeles) en el filtro para eliminar cualquier suciedad depositada. Enjuague con el agua limpia.
- Utilice las pinzas de punta de aguja para reinsertar cuidadosamente la malla de filtro de agua en la varilla. Asegúrese de que la malla esté firmemente insertada en la apertura de entrada de agua de la varilla.

Limpieza del cuerpo principal

Use sólo jabón suave y paño húmedo para limpiar el cuerpo principal.



ADVERTENCIA

No utilice nunca la unidad a limpiar el mismo.

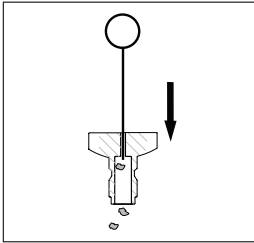
Conexiones

Conexiones en tubos de lavado a presión, de pistola y la varita de pulverización se deben limpiar regularmente y lubricados con grasa no soluble en agua.

Puntas de Rociadura Sola

La obstrucción de las puntas de rociadura hace que la presión de la bomba es demasiado alto y la limpieza se necesita inmediatamente. Limpie las puntas de rociadura con cuidado insertando una aguja suministrada, o un instrumento delgado y

agudo (es decir, clip papel) en la punta para retirar la suciedad depositada.



ADVERTENCIA

Para garantizar la seguridad y confiabilidad del producto, las reparaciones deben ser realizadas por centros de servicio autorizados u otro personal de servicio calificado, utilice siempre las piezas de recambio idénticas

SOLUCIÓN DE PROBLEMAS

Disconnect the machine from the power source before making any repairs.

Síntoma	Causa	Solución
Le moteur ne démarre pas.	Interruptor On / Off está en el "OFF" (O).	Gire el conmutador a la posición "ON" (posición I).
	GFCI no está conectado.	Enchufe GFCI
	Cable de extensión es demasiado largo. Cable de extensión no es del calibre adecuado. Cable de extensión está dañado.	Reemplazar cable de extensión ya sea con 25 'm (7,6) 14 / 3 o cable de extensión adecuado.
	Toma de corriente eléctrica no es la fuente de alimentación adecuada.	Pruebe una toma diferente.
	Se ha disparado el cortacircuitos de la lavadora a presión.	Deje que la unidad se enfríe y vuélvala a encender.
La unidad no llega a alta presión.	Diámetro de la manguera de jardín es demasiado pequeño	Reemplace con un "1" (25 mm) o 5 / 8 "(16 mm) manguera de jardín.
	El suministro de agua es restringido.	Comprobar la manguera de jardín si tenga pliegues, fugas y obstrucción.
	No suministro de agua	Abrir la fuente de agua por
	Filtro de entrada de agua está atascado.	Eliminar filtro y enjuagar con agua tibia.
	Boquilla de alimentación está en posición de baja presión.	Reemplazar con deseada punta de alta presión.
La bomba se succiona el aire.	Compruebe que las mangueras y los accesorios son herméticos. "Apagar" la máquina, y purgar la bomba apretando el gatillo de pistola hasta que un flujo constante de agua sale por la boquilla.	

Presión de salida varía de alta y baja.	No hay suficiente suministro de agua de entrada.	Abrir el agua completamente. Turn water on fully. Comprobar la manguera de jardín si tenga pliegues, fugas o bloqueo.
	La bomba se succiona el aire.	Compruebe que las mangueras y los accesorios son herméticos. "Apagar" la máquina, y purgar la bomba apretando el gatillo
	Filtro de entrada de agua está atascado.	Eliminar filtro y enjuagar con agua tibia.
	Boquilla de descarga está obstruida.	Soplar o eliminar los residuos con una aguja fina.
	Calcificados pistola, la manguera o la boquilla de alimentación.	Ejecutar vinagre destilado a través de depósito de detergente.
Detergente no está funcionando.	Envase de detergente está vacío.	Añadir más detergente.
	Botella de detergente o un tubo de succión no está conectado correctamente.	Verifique las conexiones.
	El detergente es demasiado denso.	Diluir el detergente.
	Filtro en el tubo de succión de detergente está obstruido.	Deje correr el agua caliente a través de filtro para eliminar la acumulación.
	Tubo de succión dañado u obstruido.	EnQuite la obstrucción o sustituir el tubo de succión de detergente.fe GFCI
	Boquilla está en la posición de alta presión.	Use una punta de presión baja (negro).
	Boquilla de descarga está obstruida.	Soplar o eliminar los residuos con una aguja fina.
Fugas de conexión de la manguera de jardín.	Piezas sueltas.	Apriete los conectores.
	Arandera de caucho desaparecida / rota.	Insertar nueva arandela.

Varita de rociadura, la extensión, o fugas de la boquilla.	Boquilla de rociadura no correctamente conectado.	Asegúrese de que la varita de conexión rápida varita está conectado de forma segura. Asegurar la boquilla de aspersión se hace clic en forma segura.
	O´ring roto o inserción plástica.	Llame al teléfono gratuito de Línea Directa.
La bomba es ruidoso.	La bomba se succiona el aire.	Compruebe que las mangueras y las piezas son herméticos. Apague la máquina y purgue la bomba apretando el gatillo de pis- tola hasta que un flujo constante de agua sale por la boquilla.
	Sellos de agua están dañadas o desgastadas.	Llame al teléfono gratuito de Línea Directa.
Fugas de agua de la bomba (hasta 10 gotas por minuto está permitido).	Piezas sueltas.	Compruebe que todas las conexiones estén bien apretadas.
	Sellos de agua están dañadas o desgastadas.	Llame al teléfono gratuito de Línea Directa.
El aceite está chorreando. está permitido.	Los sellos de aceite están dañados o desgastados.	Llame al teléfono gratuito de Línea Directa.
Motor zumba pero no se ejecuta.	Tensión de alimentación por debajo del mínimo.	Compruebe que sólo la lavadora de presión esté ejecutando en este circuito.
	Sistema tiene la presión residual.	Apagar la unidad, apriete el gatillo sobre la varita de rociadura para liberar la presión, luego girar a la unidad "ON".
	La pérdida de tensión debido a la extensión.	Desenchufe todos los cables de extensión adjunta y enchufe la unidad directamente en la toma de corriente.
	Lavadora a presión no se utiliza durante períodos prolongados.	Llame al teléfono gratuito de Línea Directa.

	La fricción entre los componentes residuales. Unidad podría tararear.	Desconecte el suministro de agua y encienda por 2 a 3 segundos, repetir un par de veces o hasta que el motor arranque.
No hay agua.	El suministro de agua está cerrado.	Abrir el suministro de agua.
		Débranchez l'alimentation en eau et mettez l'appareil en marche pendant 2 à 3 secondes, répétez cette étape à quelques reprises ou jusqu'à ce que le moteur démarre.

Si tiene cualquier pregunta, visite nuestro sitio web para las preguntas más frecuentes, los pasos de solución de problemas descargables, los vídeos de instrucción y compra de piezas de reemplazo en www.ForceToolsUSA.com, o llame nuestra línea directa gratuita: **1-866-902-9690**.

DATOS TÉCNICOS

Modelo	YF1800LR
Requisitos para Fuente de alimentación	120 V , 60 Hz
Corriente	13A
Presión Nominal	1700 PSI
Presión Máxima	1800 PSI
Caudal Nominal	1.20 GPM (275 LPH)
Circulación Máxima	1.35 GPM (306 LPH)
Presión de entrada	44 PSI
Admisión del agua: agua fría del grifo, max.	Cold tap water 104°F (40°C)
Duración de Cordón a Motor	35 ft. (10.7m)
Manguera de alta presión	25 ft. (7.6m)
Tasa de inyección de Detergente	3%~12%

GARANTÍA

Garantía del producto

Conserve el recibo de compra original en un lugar seguro como prueba de compra. La cobertura de garantía para este producto debe ser verificada por el recibo de compra original. El período de garantía comienza el día en que el producto fue comprado a un distribuidor autorizado de productos de Yard Force. La cobertura de garantía sólo se aplica al comprador original y no es transferible. La cobertura de garantía sólo se suministra para productos comprados en tiendas autorizadas Yard Force.

La garantía sólo se aplica a los productos comprados y operados en la USA. Cualquier producto adquirido o se opera fuera de la USA no está cubierta por ninguna garantía.

(2) Dos años de garantía - bomba y el motor

El **YF1800LR** tiene una garantía limitada de 2 años para el motor y bomba de agua eléctrica a partir de la fecha de compra contra defectos de fabricación para uso residencial. **El uso comercial anula la garantía.** Esta garantía no cubre los daños accidentales, uso indebido, uso y desgaste normal, negligencia o incumplimiento de las instrucciones de mantenimiento de Operación, Seguridad y. Todo el servicio, fuera del mantenimiento normal tal como se describe en este manual, debe ser realizada por un técnico de servicio autorizado. Cualquier servicio o cambios en la configuración original de este producto no autorizado anulará la garantía. Todas las partes y accesorios utilizados en y con este producto deben ser fabricados y / o autorizados por la **SUMEC North America**.

(90) Garantía de noventa días - Accesorios

Los accesorios incluidos con el **YF1800LR** incluyendo la manguera, el mango del gatillo y la varita, y otras partes similares están garantizados contra defectos de fabricación para uso residencial solamente por un período de 90 días a partir de la fecha de compra.

La garantía no cubre la pérdida de uso o daños consecuentes derivados de cualquiera de los anteriores, ni tampoco cubre las reparaciones realizadas o intentadas por personas no autorizadas. Esta garantía no es válida si el producto se utiliza para fines comerciales, de alquiler o para fines industriales. Ciertas piezas, archivos adjuntos y accesorios están sujetos a desgaste normal y se excluyen de la garantía.

Servicio y garantía Proceso de Reclamaciones

Póngase en contacto con el Centro de soporte de Yard Force en (866) 902-9690 sin cargo de lunes a viernes entre las 8:30 am y 5:00 pm, hora del este de soporte de servicio y garantía.

Agentes de Apoyo de Servicio de Yard Force pueden ayudar a solucionar problemas a través del teléfono para que todo vuelva a funcionar lo más rápidamente posible. En la

situación en la que se necesita el servicio de garantía o de inspección, por favor, siga estos pasos:

1. Call Yard Force al (866) 902-9690 de lunes a viernes entre las 8:30 am y 5:00 pm, hora del este.
2. Enviar a prueba de compra y el número de serie (si es aplicable) para confirmar la cobertura de garantía según las indicaciones de Yard Force.
3. En caso de servicio o se solicita una evaluación de la garantía, Yard Force proporcionarán un número RGA que debe ser utilizado en todas las comunicaciones con Yard Force y se requiere para ser indicada en el producto en sí y en el exterior de la caja.
4. Todos los envíos a Yard Force deben tener un número RGA. Cualquier envío recibida que no tiene un número RGA claramente marcada en el exterior de la caja, será rechazado.
5. Todos los envíos deberán ser enviados pre-pago, Yard Force no paga los gastos de envío para el servicio o la evaluación de la garantía. Yard Force no es responsable de los paquetes que se pierden por la compañía. Recomendamos que los envíos son realizados por una compañía que proporciona un seguimiento y confirmación de entrega.

Para obtener más información o para hacer preguntas, por favor llame al número gratuito **(866) 902-9690** De lunes a viernes entre las 8:30 am y 5:00 pm Eastern Time.

CONSERVEZ CES INSTRUCTIONS