



# YF-RER38-BG BAGGING KIT

FOR USE WITH YARD FORCE RIDING LAWN MOWER



**WARNING:**

To reduce the risk of injury, user must read and understand the operator's manual for their riding lawn mower before using this accessory. Save these instructions. Refer to them frequently and use them to instruct other users. If you loan someone this product, loan them these instructions also.

## PACKING LIST

- |                    |                   |
|--------------------|-------------------|
| Bagging Blades (2) | Bagger Bracket    |
| Hitch Pin          | Bagger Cover      |
| Bags (2)           | Upper Bagger Tube |
| Lower Bagger Tube  |                   |

## INSTALLING THE BAGGING KIT

This kit includes a bagger and special mower blades designed to be used when bagging. Install the blades first, then install the bagging kit.

## REMOVING THE CUTTING DECK

See Figure 1.

If desired, the cutting deck can be removed from the mower to make accessing the blades easier when changing.

- Make sure direction control switch is in neutral (N) position and blade engage knob is down.
- Stop the motor, wait for the blades to come to a complete stop, remove the start key, and set the parking brake.
- Place a large piece of cardboard or similar beneath the deck to prevent scratching. Disconnect the (2) cables that connect the cutting deck to the mower.
- Lower the cutting deck to its lowest position.
- Remove the 4 hitch pins and washers that secure the cutting deck in place.
- Slide the deck out from under the mower.
- Reverse the process to reattach the cutting deck to the mower.

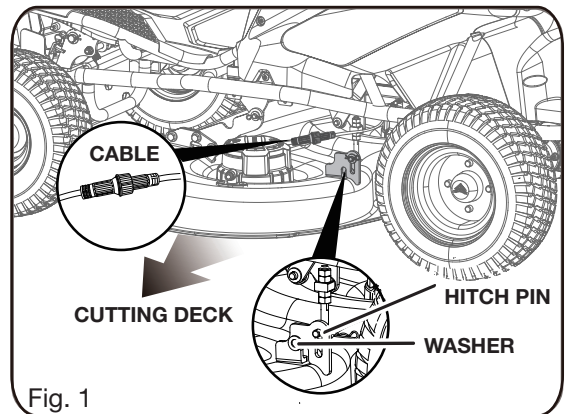


Fig. 1

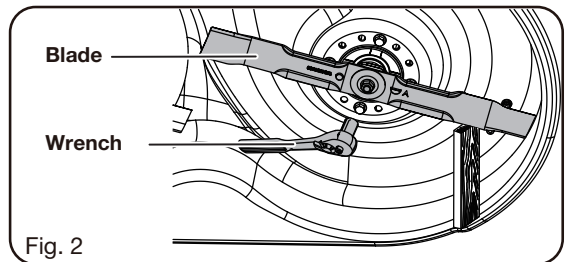


Fig. 2

## INSTALLING BAGGING BLADES

See Figures 2 - 3.



**CAUTION:**

Only use replacement blade hardware authorized by the manufacturer of your riding mower. Use of blade bolts not authorized is hazardous and may damage your riding mower.

- Make sure direction control switch is in neutral (N) position and blade engage knob is down.
- Stop the motor, wait for the blades to come to a complete stop, remove the start key, and set the parking brake.
- Raise the height of the cutting deck to its highest position to allow access to blades.

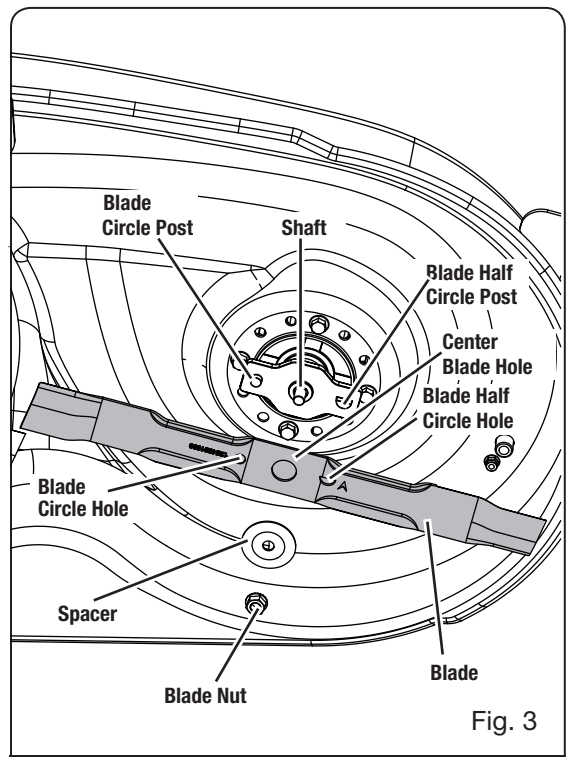
**NOTE:** If necessary, raise the mower by placing on a lift or using a jack and jack stands, or remove the cutting deck as described in the previous section to gain access.



**WARNING:**

If raising the mower to access the blades, make sure the mower is properly secured and the parking brake is set before proceeding. Failure to properly secure the mower could cause it to fall, resulting in possible death or serious personal injury.

- Wedge a block of wood between the blade and mower deck to prevent the blade from turning.
  - Loosen the blade nut by turning it counterclockwise as viewed from bottom of mower. Depending on model, use a correct 14mm or 15mm wrench or socket (not provided).
  - Remove the blade nut, spacer, and blade.
  - Place the new blade on the shaft against the corresponding blade posts. Ensure blade is properly seated with shaft going through center blade hole and the two blade posts inserted into their respective holes on the blade. Make sure it is installed with the curved ends pointing up toward the mower deck and not down toward the ground. When seated properly, the blade should be flat against the blade posts.
  - Replace the blade spacer. Be sure the hole in the spacer aligns with the flat sides of the blade shaft.
- NOTE:** Make certain all parts are replaced in the exact order in which they were removed.
- Thread the blade nut on the shaft and finger tighten.
  - Torque the blade nut down clockwise using a torque wrench (not provided) to ensure the bolt is properly tightened. The recommended torque for the blade nut is 600-650 in. lbs.



**WARNING:**

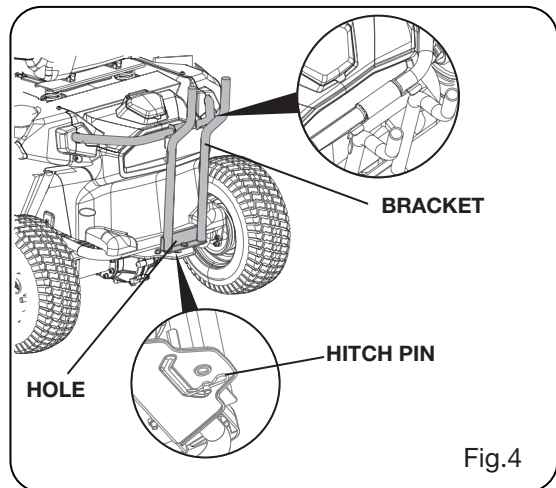
Ensure blade is properly seated and the blade nut is tightened to the torque specifications above. Failure to properly attach the blade could cause it to come loose and result in possible serious personal injury.

- Repeat with second blade.

## INSTALLING THE BAGGER

See Figures 4-10.

- Insert the bagger bracket into the hole on the rear right side of the mower as shown.
- Install hitch pin through hole at bottom of bracket to secure.
- Place cover on top of bracket with openings on cover sliding over shafts on frame.
- Lift the cover all the way up and slide bags onto bagger frame.
- Lower cover until it snaps closed.
- Remove mulch cover from mower, if installed.
- Install the upper end of the top bagger tube (side with bag full indicator) into the hole in the back of the grass catcher cover.
- Install bottom bagger tube to side discharge outlet Tab on mower deck must fit into slot on the tube. Then hook fasteners to the deck as shown.
- Pull the top tube forward from the cover just far enough to connect the two tubes together, lining the slots and tabs. Pull rubber latch over top of pin to secure.



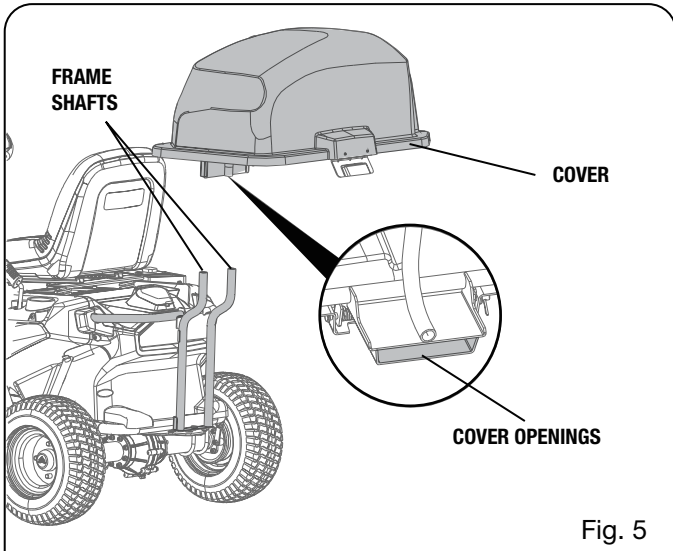


Fig. 5

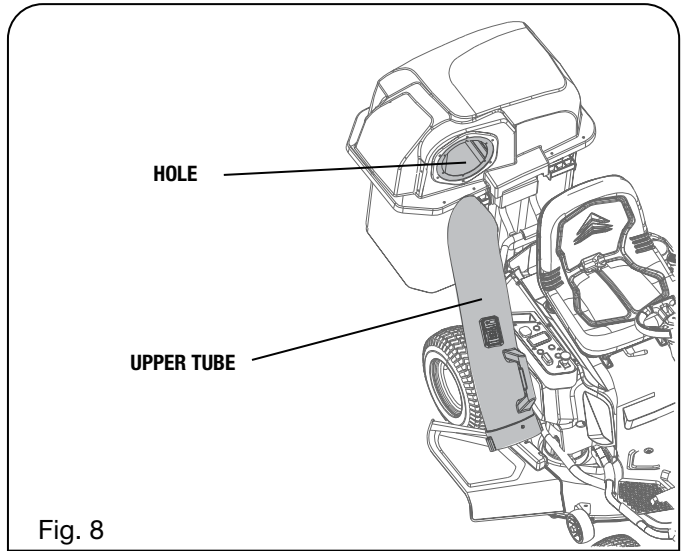


Fig. 8

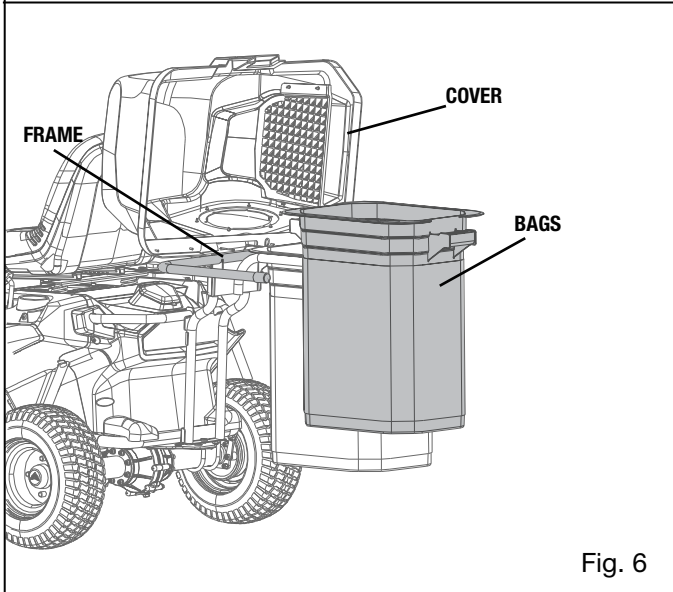


Fig. 6

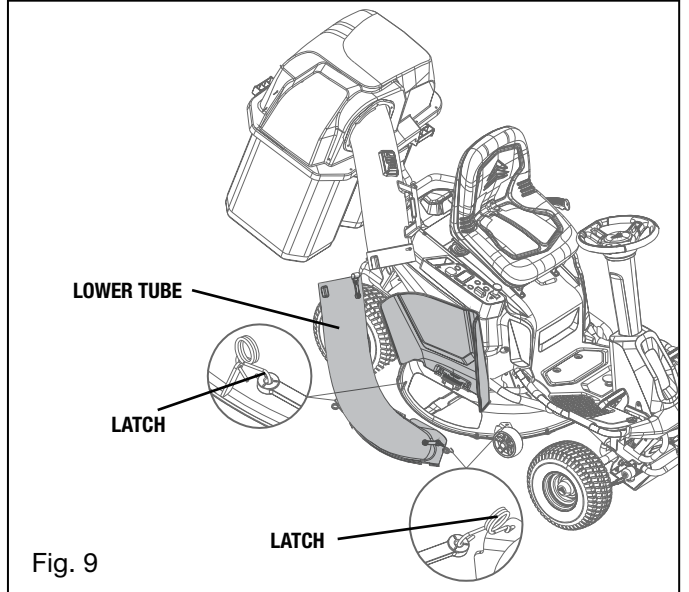


Fig. 9

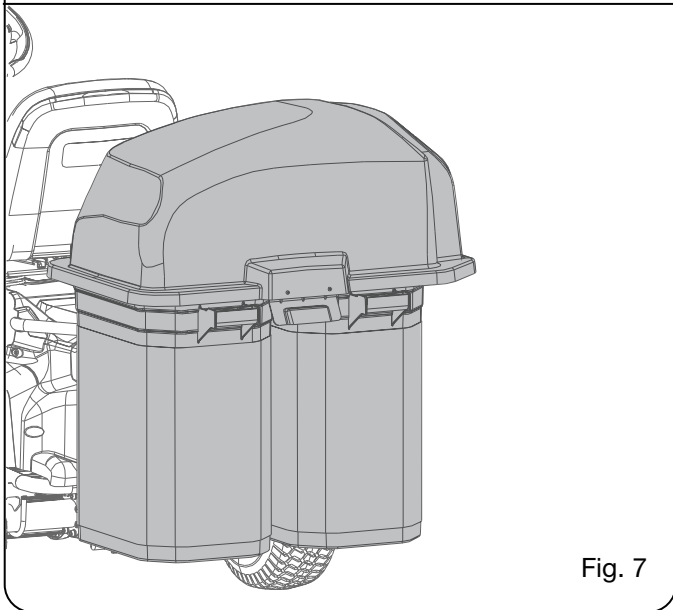


Fig. 7

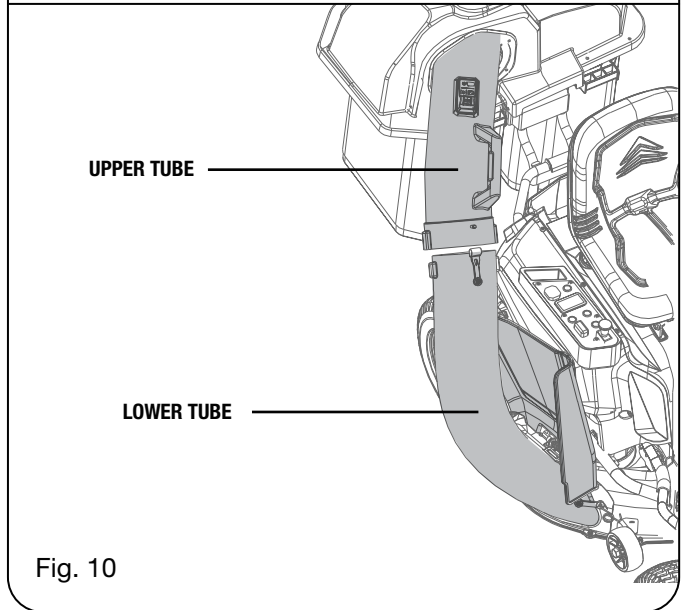


Fig. 10

## USING THE BAGGING KIT

See Figure 11-12.



### WARNING:

Added accessories can affect the stability of the mower when operating on slopes. Use additional care when mowing on slopes with the bagging kit installed.



### WARNING:

Be especially careful before and when backing with the bagging kit installed, as it may limit visibility. Always look closely behind and down for obstacles, small children, bystanders, and pets. Move the mower slowly to prevent accidents. Back over accidents can cause death or serious personal injury.

- Install bagging kit as previously described.
- Mow as desired, keeping aware of the status of the bag full indicator. When the indicator wheel stops spinning, the bags are full and need to be emptied.
- NOTE: If the bag full indicator stops spinning when the bags are not full, check for a clog in the tubes.
- Make sure direction control switch is in neutral (N) position and blade engage knob is down.
- Stop the motor, remove the start key, and set the parking brake.
- Squeeze the latch handle and lift the cover.
- Slide bags toward rear and lift the bags from the cover.
- Empty the clippings from the bags.
- Replace the bags and close the cover fully.
- Reinstall start key and restart mower when you are ready to return to mowing.

**NOTE:** Always empty the bags before storing the mower.



Fig. 11



Fig. 12

## OPERATING TIPS

- Avoid cutting wet grass or grass that is heavy with dew. Grass that is wet will be sticky and could adhere to bagger parts.
- If the bagger fails to pick up cut grass or leaves when the bags are not full, it may indicate that a clog has occurred. Stop the motor, remove the start key, set the parking brake, and check all parts of the bagger for clogged material.
- If desired, plastic trash bags can be inserted inside bagger for ease of debris disposal.

## MAINTENANCE

The bagger assembly is subject to deterioration and wear and should be checked each time the mower is used. If replacement is needed, make sure the new bagger meets original manufacturer's recommendations and specifications.

## CALIFORNIA PROPOSITION 65



### WARNING:

This product and substances that may become airborne from its use may contain chemicals, including lead, known to the State of California to cause cancer, birth defects, or other reproductive harm. Wash hands after handling.