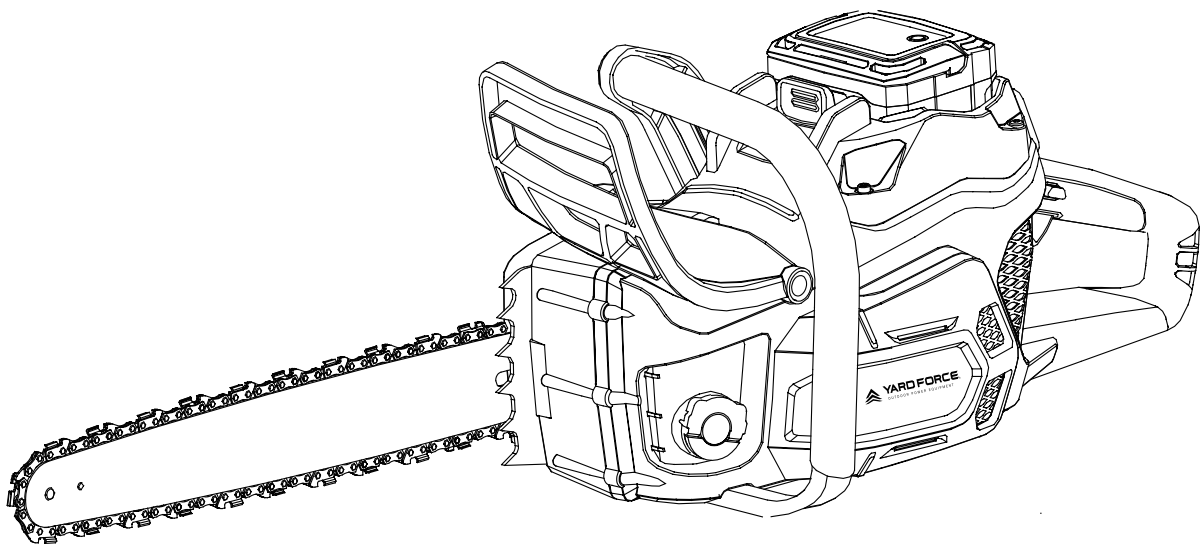




YARD FORCE[®]
OUTDOOR POWER EQUIPMENT

Model: Y0LSX46B000

18" Cordless Chain saw OPERATOR'S MANUAL



*Our Customer Service staff is ready to provide assistance.
In the case of a damaged or missing part, most replacement parts ship directly from Merotec USA in Atlanta or from one of our service partners in the US.
For immediate help with assembly, or for additional product information, email support@MerotecUSA.com or call 866-902-9690 M-F 8:30am – 5:00pm ET. More information can be found on www.YardForceUSA.com.*



SAVE THIS MANUAL FOR REFERENCE



*You will need this manual for safety instructions, operating procedures, and Warranty.
The original sales receipt is required for warranty service.*

TABLE OF CONTENTS

Description of product parts.....	6
Technical specification.....	6
Intended use.....	6
General safety warnings.....	6
Product safety warnings.....	9
Symbols.....	11
Installation.....	12
Operation.....	13
Maintenance and storage.....	16
Troubleshooting.....	18
Warranty.....	19



WARNING

1. To reduce the risk of electric shock- Do not expose to water.
2. Do not use in rain. Store indoors only. Replace damaged battery pack immediately.
3. Disconnect battery pack before cleaning or servicing. Use proper eye protection. Keep away from rotating line.
4. Do not operate without guard in place.
5. Use only SUMEC 120V Li-ion battery Y0L120BAT2.5 and SUMEC battery charger Y0L120CGR.

Fig.1

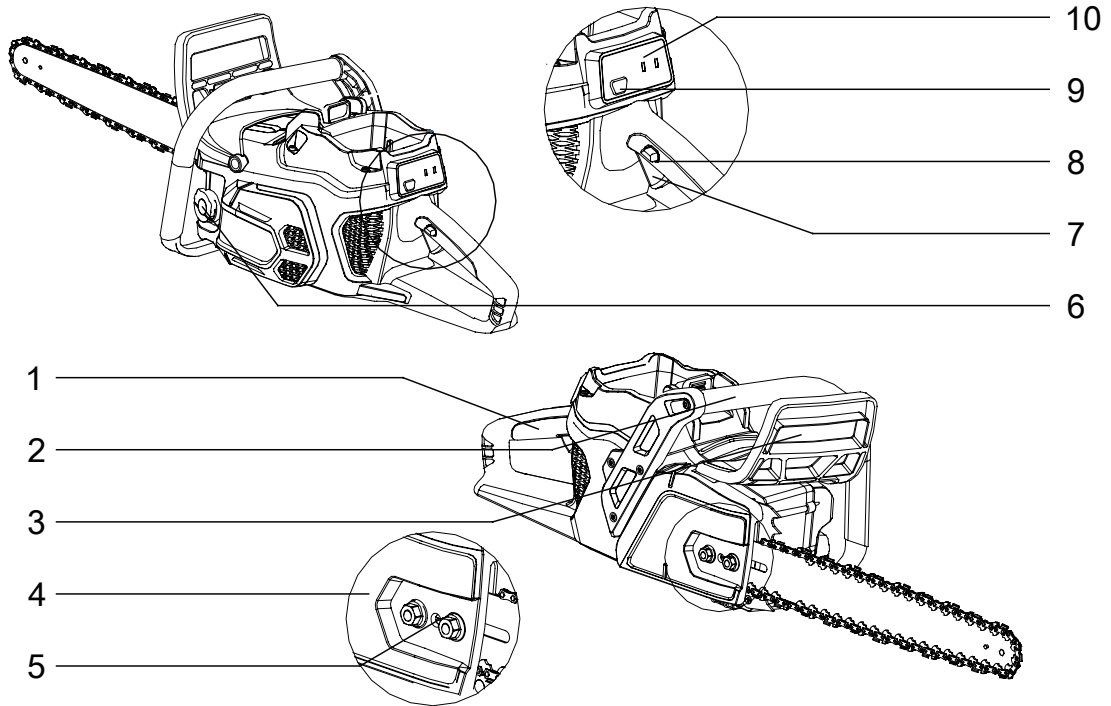


Fig.2

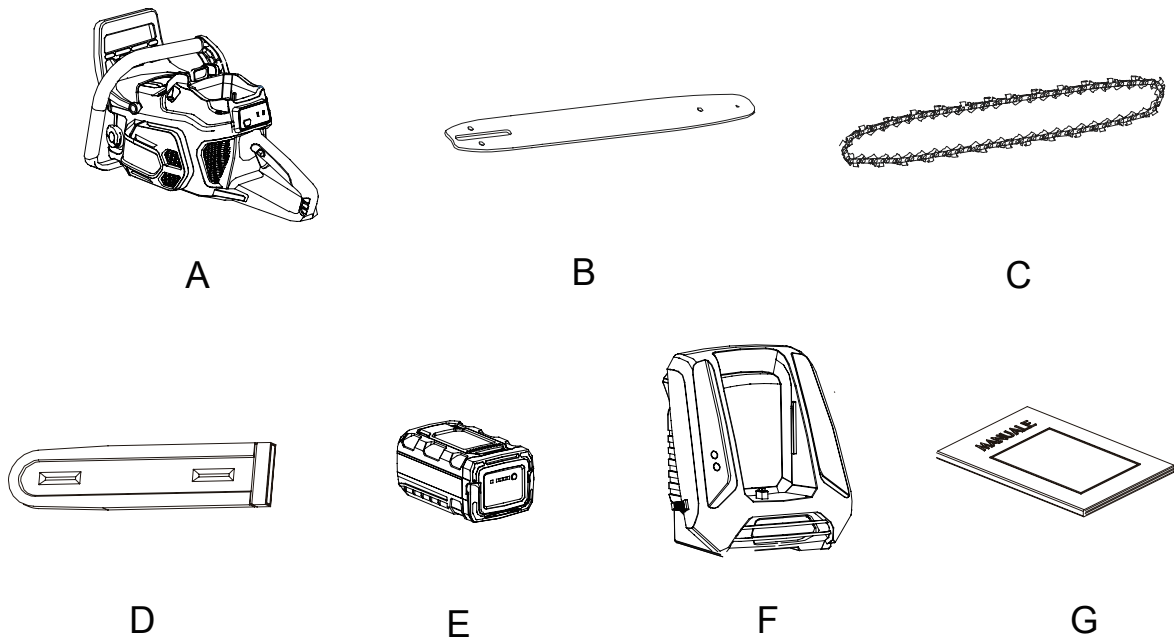


Fig.3

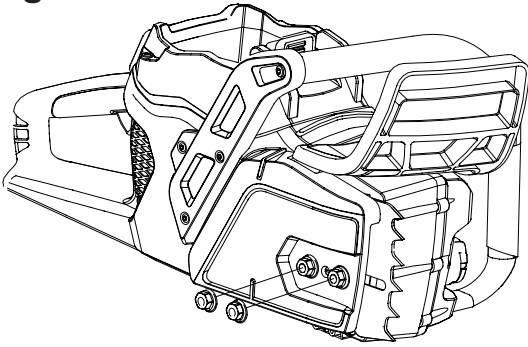


Fig.4

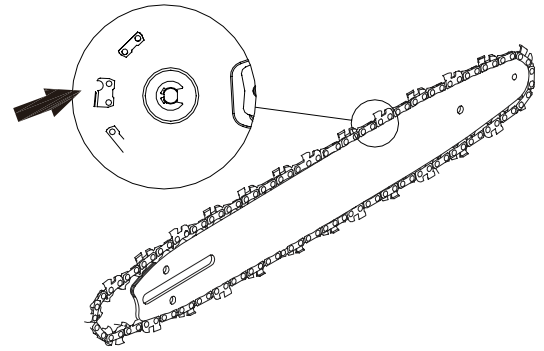


Fig.5

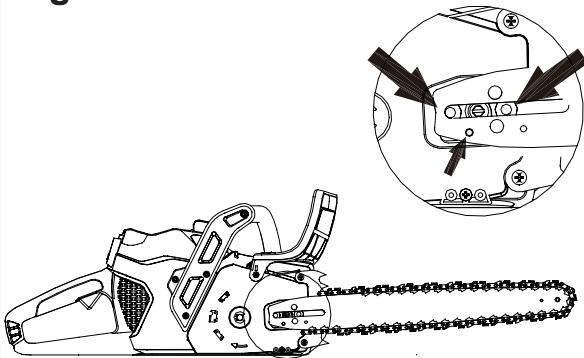


Fig.6

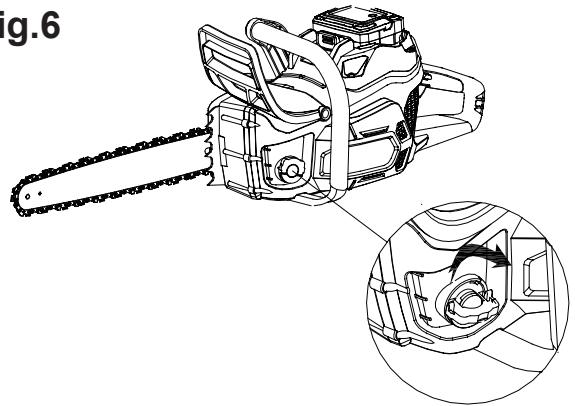


Fig.7

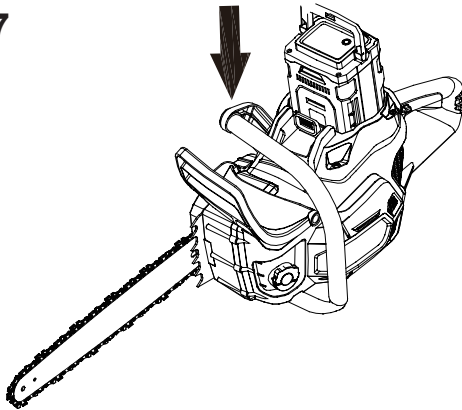


Fig.8

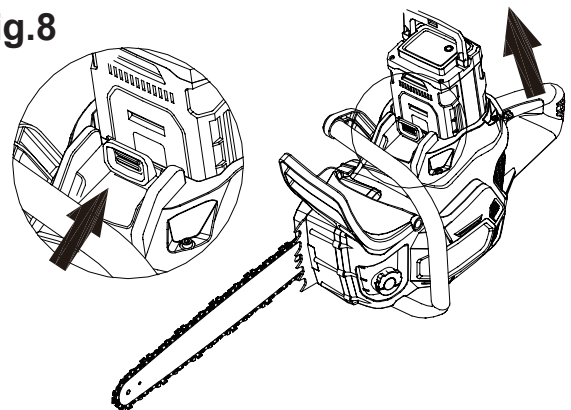


Fig.9

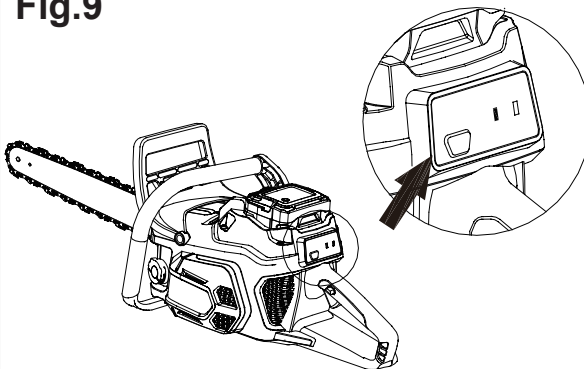


Fig.10

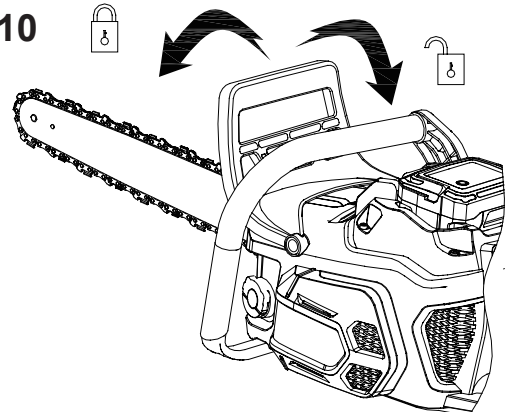


Fig.11

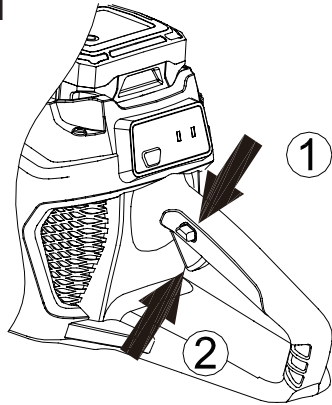


Fig.12

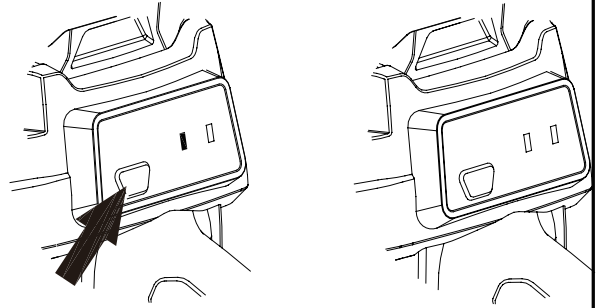


Fig.13 

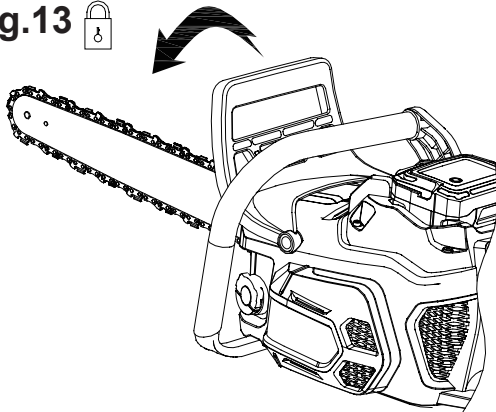


Fig.14

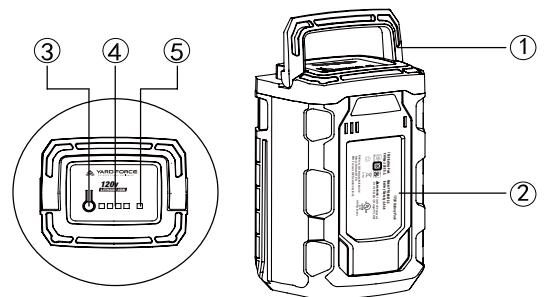
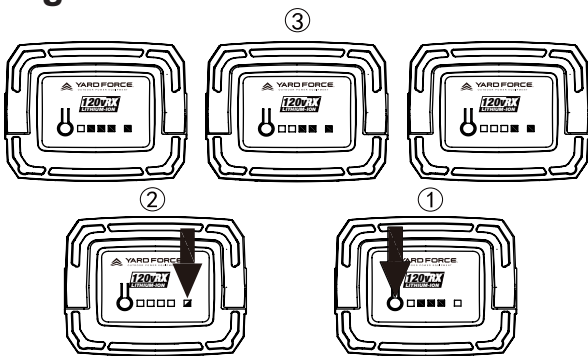


Fig.15



Description of product parts

Parts description (See Fig. 1)

1. Main handle
2. Auxiliary handle
3. Chain brake actuating lever
4. Clutch chain bar cover
5. Chain tensioner adjuster screw
6. Chain oil cap
7. Switch trigger
8. Safety lock off button
9. Power ON/OFF button
10. Panel

Parts included (See Fig. 2)

- a. Chain saw(without bar and chain) x 1
- b. Chain bar x 1
- c. Chain x 1
- d. Protect sleeve x 1
- e. Battery pack x 1
- f. Charger x 1
- g. Manual x 1

Carefully remove the machine and parts from its packaging. Identify all the parts packaged in the carton against the parts list.

Please contact our customer service center
(Monday - Friday 8:30AM - 5:00PM ET) at (866) 902-9690 if anything is missing.



WARNING: If any parts are damaged or missing, do not operate this tool until these parts have been replaced. Failure to heed this warning could result in serious personal injury.

NOTE: Always recycle the packaging in accordance with local recycling guidelines.

Technical Specifications

Model #	YOLSX46B000
Voltage/Capacity	120 V DC, 2.5 Ah Li-ion
No-load chain speed	42.65 ft/s (13 m/s)
Bar Length	18"
Chain Pitch	3/8"
Type of chain blade	91P062X
Type of chain bar	180SDEA041

Oil tank capacity	5.63 oz.
Charger	Input: 100~120 V, 50/60 Hz, Output: 120 V DC, 4 A
Charging Time	40 minutes
Weight	11.46 lbs
Battery Pack Type	YOL120BAT2.5, 2.5 Ah
Adapter Type	YOL120CGR

Intended use

This Chain saw has been designed for cutting branches, trees or logs.

The machine is to be used only for its prescribed purpose, the cutting of wood. Any other use is deemed to be a case of misuse. The user/operator and not the manufacturers will be liable for any damage or injuries of any kind caused as a result of this.

The product is to be used outdoors

This product is not to be used by children or by any persons not wearing the correct safety protective equipment and clothing

General safety warnings



WARNING Read all safety warnings and all instructions. Failure to follow the warnings and instructions may result in electric shock, fire and/or serious injury.

Save all warnings and instructions for future reference

The term "power tool" in the warnings refers to your mains-operated (corded) power tool or battery-operated (cordless) power tool.

Work area safety

1. **Keep work area clean and well lit.** Cluttered or dark areas invite accidents.
2. **Do not operate power tools in explosive atmospheres, such as in the presence of flammable liquids, gases or dust.** Power tools create sparks which may ignite the dust or fumes.
3. **Keep children and bystanders away while operating a power tool.** Distractions can cause you to lose control.

Electrical safety

1. **Power tool plugs must match the outlet. Never modify the plug in any way. Do not use any adapter plugs with earthed (grounded) power tools.** Unmodified plugs and matching outlets will reduce risk of electric shock.
2. **Avoid body contact with earthed or grounded surfaces, such as pipes, radiators, ranges and refrigerators.** There is an increased risk of electric shock if your body is earthed or grounded.
3. **Do not expose power tools to rain or wet conditions.** Water entering a power tool will increase the risk of electric shock.
4. **Do not abuse the cord. Never use the cord for carrying, pulling or unplugging the power tool. Keep cord away from heat, oil, sharp edges or moving parts.** Damaged or entangled cords increase the risk of electric shock.
5. **When operating a power tool outdoors, use an extension cord suitable for outdoor use.** Use of a cord suitable for outdoor use reduces the risk of electric shock.
6. **If operating a power tools in a damp location is unavoidable, use a residual current device (RCD) protected supply.** Use of an RCD reduces the risk of electric shock.

Personal safety

1. **Stay alert, watch what you are doing and use common sense when operating a power tool. Do not use a power tool while you are tired or under the influence of drugs, alcohol or medication.** A moment of inattention while operating power tools may result in serious personal injury.
2. **Use personal protective equipment. Always wear eye protection.** Protective equipment such as dust mask, non-skid safety shoes, hard hat, or hearing protection used for appropriate conditions will reduce personal injuries.
3. **Prevent unintentional starting. Ensure the switch is in the off-position before connecting to power source and/or battery pack, picking up or carrying the tool.** Carrying power tools with your finger

- on the switch or energizing power tools that have the switch on invites accidents.
4. **Remove any adjusting key or wrench before turning the power tool on.** A wrench or a key left attached to a rotating part of the power tool may result in personal injury.
5. **Do not overreach. Keep proper footing and balance at all times.** This enables better control of the power tool in unexpected situations.
6. **Dress properly. Do not wear loose clothing or jewellery. Keep your hair, clothing and gloves away from moving parts.** Loose clothes, jewellery or long hair can be caught in moving parts.
7. **If devices are provided for the connection of dust extraction and collection facilities, ensure these are connected and properly used.** Use of dust collection can reduce dust-related hazards.

Power tool use and care

1. **Do not force the power tool. Use the correct power tool for your application.** The correct power tool will do the job better and safer at the rate for which it was designed.
2. **Do not use the power tool if the switch does not turn it on and off.** Any power tool that cannot be controlled with the switch is dangerous and must be repaired.
3. **Disconnect the plug from the power source and/or the battery pack from the power tool before making any adjustments, changing accessories, or storing power tools.** Such preventive safety measures reduce the risk of starting the power tool accidentally.
4. **Store idle power tools out of the reach of children and do not allow persons unfamiliar with the power tool or these instructions to operate the power tool.** Power tools are dangerous in the hands of untrained users.
5. **Maintain power tools. Check for misalignment or binding of moving parts, breakage of parts and any other condition that may affect the power tool's operation. If damaged, have the power tool repaired before use.** Many accidents are caused by poorly maintained power tools.

6. **Keep cutting tools sharp and clean.** Properly maintained cutting tools with sharp cutting edges are less likely to bind and are easier to control.
7. **Use the power tool, accessories and tool bits etc. in accordance with these instructions, taking into account the working conditions and the work to be performed.** Use of the power tool for operations different from those intended could result in a hazardous situation.

Charger

1. **Recharge only with the charger specified by the manufacturer.** Do not use the original charger on other li-ion batteries or on any other type of battery as this can increase the risk of fire or explosion.
2. **Check the battery charger, cable and plug before each use.** Do not use the battery charger if damaged. **Do not open the battery charger yourself;** charger must be repaired by qualified personnel using original spare parts.
3. The charger is designed to use a standard household 100-120 V~, 50/60 Hz power source, ensure that the plug matches the outlet.
4. **Never modify the plug in any way; this will reduce the risk of electric shock.**
5. **Do not abuse the cord of charger.** Never use the cord for carrying, pulling or unplugging the charger. Keep cord away from heat, oil, sharp edges or moving parts. Damaged or entangled cords increase the risk of electric shock.
6. **Make sure the charger cord is situated so that it will not be stepped on,** tripped over or get damaged.
7. **Keep the battery charger clean.** Contamination can increase the risk of electric shock.
8. **Protect the battery charger from rain and moisture.** If water accesses the battery charger there is an increased risk of electric shock.
9. **Battery will heat up whilst charging.** To reduce the risk of fire, do not operate battery charger on flammable surfaces such as paper or textiles.
10. **The temperature range over which the battery pack can be charged is typically between 41° F to 113° F.** Attempts to

charge out with the prescribed temperature range may automatically be blocked by the protection circuitry of the battery pack. Longest life and best performance can be obtained if the battery pack is charged at room temperature.

11. **Disconnect charger from the power supply when not in use.** This will reduce the risk of electric shock or damage to the charger.

Battery pack

1. **Fully charge battery pack before first use.**
2. Recharge battery pack immediately when the power output starts to slow. **DO NOT CONTINUE TO USE PRODUCT WHEN BATTERY LEVEL IS LOW.**
3. **To prevent serious damage to the battery, charge in temperatures above 41° F or below 113° F.** Longest life and best performance can be achieved when battery is charged at room temperature.
4. **If the battery temperature is above 113° F it must be allowed to cool before putting it into the charging station.**
5. To reduce the risk of explosion, ensure the battery pack is not left in the sun for extended periods of time and that it is kept away from fire.
6. **Do not carry individual battery packs in your pockets or bag as they could short-circuit against other metal items.**
7. Should a li-ion battery catch fire, ensure to use the correct fire extinguisher to combat the fire. **DO NOT THROW WATER ON A BURNING LI-ION BATTERY.**
8. If the battery pack becomes too hot during charging, disconnect and switch off immediately. Contact the service centre directly.
9. **Do not attempt to open the battery yourself.**
10. **When battery pack is not in use keep it away from other metal objects** such as paperclips, coins, keys, nails, screws or other small metal objects that can make a connection from one terminal to another.

Maintenance and storage

1. **Keep all nuts, bolts and screws tight to be sure the product is in a safe working**

condition.

2. Always allow the product to cool down before storing.
3. When servicing the chain be aware that even though the power source is switched off, the chain can still move.
4. Replace worn or damaged parts for safety. **Use only genuine replacement parts and accessories.**
5. **DO NOT attempt to open the charger and battery pack.** There are no customer serviceable parts inside. Return to any authorized service center.
6. Store the appliance with battery pack fully charged at room temperature (around 68° F).
7. **Every deep discharge cycle decreases the capacity of battery pack.** To prolong battery life, it is recommended that you charge the battery every six months within extended periods of time when the product is not in use.

Servicing

1. Have your tool repaired by an authorized service agent. This tool is manufactured in accordance with the relevant safety regulations. To avoid danger, equipment must only be repaired by qualified technicians.
2. Only use identical replacement and accessories made for this machine by the manufacturer. Failure to do so can result in personal injury.

Product safety warnings

1. **Keep all parts of the body away from the saw chain when the chain saw is operating. Before you start the chain saw, make sure the saw chain is not contacting anything.** A moment of inattention while operating chain saws may cause entanglement of your clothing or body with the saw chain.
2. **Always hold the chain saw with your right hand on the rear handle and your left hand on the front handle.** Holding the chain saw with a reversed hand configuration increases the risk of personal injury and should never be done.
3. **Hold the power tool by insulated gripping surfaces only, because the saw chain may contact hidden wiring.** Saw chains contacting a "live" wire may make exposed metal parts of the power tool "live" and could give the operator an electric shock.
4. **Wear safety glasses and hearing protection. Further protective equipment for head, hands, legs and feet is recommended.** Adequate protective clothing will reduce personal injury by flying debris or accidental contact with the saw chain.
5. **Do not operate a chain saw in the tree.** Operation of a chain saw while up in a tree may result in personal injury.
6. **Always keep proper footing and operate the chain saw only when standing on fixed, secure and level surface.** Slippery or unstable surfaces such as ladders may cause a loss of balance or control of the chain saw.
7. **When cutting a limb that is under tension be alert for spring back.** When the tension in the wood fibers is released the spring loaded limb may strike the operator and/or throw the chain saw out of control.
8. **Use extreme caution when cutting brush and saplings.** The slender material may catch the saw chain and be whipped toward you or pull you off balance.
9. **Carry the chain saw by the front handle with the chain saw switched off and away from your body. When on transporting or storing the chain saw always fits the guide bar cover.** Proper handling of the chain saw will reduce the likelihood of accidental contact with the moving saw chain.
10. **Follow instructions for lubricating, chain tensioning and changing accessories.** Improperly tensioned or lubricated chain may either break or increase the chance for kickback.
11. **Keep handles dry, clean, and free from oil and grease.** Greasy, oily handles are slippery causing loss of control.
12. **Cut wood only. Do not use chain saw for purposes not intended. For example: do not use chain saw for cutting plastic, masonry or non-wood building materials.** Use of the chain saw for operations different

than intended could result in a hazardous situation.

13. **Causes and operator prevention of kickback:**

Kickback may occur when the nose or tip of the guide bar touches an object, or when the wood closes in and pinches the saw chain in the cut.

Tip contact in some cases may cause a sudden reverse reaction, kicking the guide bar up and back towards the operator. Pinching the saw chain along the top of the guide bar may push the guide bar rapidly back towards the operator.

Either of these reactions may cause you to lose control of the saw which could result in serious personal injury. Do not rely exclusively upon the safety devices built into your saw.

As a chain saw user, you should take several steps to keep your cutting jobs free from accident or injury.

Kickback is the result of tool misuse and/or incorrect operating procedures or conditions and can be avoided by taking proper precautions as given below:

- **Maintain a firm grip, with thumbs and fingers encircling the chain saw handles, with both hands on the saw and position your body and arm to allow you to resist kickback forces.** Kickback forces can be controlled by the operator, if proper precautions are taken. Do not let go of the chain saw.
- **Do not overreach and do not cut above shoulder height.** This helps prevent unintended tip contact and enables better control of the chain saw in unexpected situations.
- **Only use replacement bars and chains specified by the manufacturer.** Incorrect replacement bars and chains may cause chain breakage and/or kickback.
- **Follow the manufacturer's sharpening and maintenance instructions for the saw chain.** Decreasing the depth gauge height can lead to increased kickback.

14. Cut the wood in right direction.
15. **Before use the chain saw, be sure to check the chain and bar in tension.** Don't use the chain saw if the chain and bar are loose. Also confirm with that no abnormality exists by actual test running.
16. Do not operate in rain.
17. **Switch off and remove the battery pack when not in use, and before performing maintenance or adjustments.**
18. Pull out the battery pack before you change or adjust the bar and chain Use only suitable bar Oregon/180SDEA041 and chain Oregon /91P062X.
19. **Never leave the machine unattended in rooms with children.**
20. **Keep the machine out of children's reach.**
21. The first-time user should, as a minimum practice, cutting logs on a saw-horse or cradle.

Symbols

Safety symbols

The purpose of safety symbols is to attract your attention to any possible dangers. The safety symbols and their explanations deserve your careful attention and full understanding. The symbol warnings do not, by themselves, eliminate any danger. The instructions and warnings they give are no substitute for proper accident prevention measures.



WARNING: Be sure to read and understand all safety instructions within this operator's manual, including all safety alert symbols such as "**DANGER**," "**WARNING**," and "**CAUTION**" before using this tool. Failure to follow all instructions listed below may result in electric shock, fire and/or serious personal injury.

SAFETY ALERT SYMBOLS: Indicate **DANGER**, **WARNING**, or **CAUTION**. May be used in conjunction with other symbols or pictographs.

Symbol meanings

This page depicts and describes safety symbols that may appear on this product. Read, fully understand and follow all instructions on the machine before attempting to assemble and operate.



This symbol, before a safety comment, indicates a precaution, a warning or a danger. Ignoring this warning can lead to an accident for yourself or for others. To limit the risk of injury, fire, or electrocution always apply the recommendations indicated.



To reduce the risk of injury, user must read and understand operator's manual before using this product.



Wear ear hearing protection when operating this product.



Wear eye protection



Wear heavy-duty protective gloves when handling the chain saw.



Tip contact can cause the guide bar to move suddenly upward and backward, which can cause serious injury.



Hold and operate the saw properly with both hands.



Do not operate the saw using only one hand.



Contact of the guide bar tip with any object should be avoided.



Do not expose to rain

Warning symbols on the battery pack



Do not throw into water



Do not throw on fire.



Do not subject the battery to strong sunlight over long periods of time. Do not leave on a heater (max. 113°F).



Batteries contain Li-ion. Do not dispose of waste batteries in domestic waste. Contact local authority to find out how to dispose of batteries appropriately.



Do not expose and operate the tool in rain.

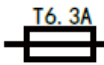
Warning symbols on the charger



The charger is for indoor use only.



Double insulation



Protective 6.3A limited



Pole orientation.



Do not expose and operate the tool in rain.

Installation

Install the chain Bar and chain

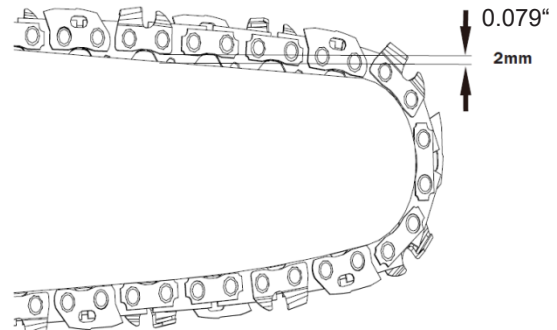
1. Uninstall the two nuts on the Chain bar cover and disassembly the clutch cover. (See Fig. 3)
2. The saw chain should face in the direction of chain rotation. If backwards, turn the loop over.
3. Place the chain drive links into the bar groove.
4. Position the chain so there is a loop at the back of the bar. (See Fig. 4)

Hold the chain in position on the bar and then place the loop around the sprocket and make sure it is correctly mounted. Make sure the bar hole fits well with bolt for saw chain tension. (See Fig. 5)

5. Install the Chain bar cover. With the two cover nuts and then adjust the chain tension as detailed below.

Adjust the chain's tension

Use a flat screwdriver to adjust the tension of chain, clockwise direction to tighten, and anticlockwise direction to release.



CAUTION! Always ensure the battery pack has been removed before any adjustments are made. When the saw chain can be raised by around 2mm in the middle of the cutter bar. You know that the chain tension is ideal.

CAUTION: Proper saw chain tension is extremely important. If saw chain is too tight, the guide bar and saw chain will be quickly damaged. If the saw chain is too loose, it may get out of the guide bar groove and cause an injury.

NOTE: All the chain links must lie properly in the guide groove of the saw rail.

NOTE: During cutting. The chain gets heat and its length changes. It is important therefore to check the chain tension at least every 10 minutes and to adjust it again as required.

NOTE: A new chain will stretch so adjust the tension after a few cuts. Watch saw chain tension carefully for the first half hour of cutting. Once chain tension has been completed - retighten the chain bar cover nut and make sure they are secure.

Operation

Charging the battery pack

NOTE:

- The battery pack is supplied partially charged. To ensure the best performance, charge the battery completely before first use.
 - Make sure the main voltage is the same as rating label which is located on the charger.
 - Remove the battery pack from the charger after it has been fully charged.
1. Connect the charger to a power supply. The red LED light on the charger will be on.
 2. To insert the battery pack into the charger, align the grooves on the battery pack with the raised ribs in the opening of the charger. Then press the battery pack downward with a moderate force. (There is a carrying handle at the top of the battery pack. Lift the handle up for easy-transporting.)
 3. Once the battery pack is correctly located in the charger, the green LED light of the charger will flash continuously during normal charging, while the red LED light is still on.
 4. When charging is complete, both green and red LED light of the charger will be on.
 5. If you encounter one of following kind of situations, the red LED light of charger will flash.
 - Wrong communication. It refers to poor connection between charger and battery pack.
 - Fault with battery pack. It need be repaired by the customer service center.

Power indicator

This Li-Ion battery pack is equipped with a power indicator which is used to show the battery pack's remaining charge. Press the power indicator button to check battery charge as below. The LEDs will stay lit for approximately 4 seconds.

Meaning of power indicator

1. When you push the power indicator button, the green LED lights will show the power remaining.
2. When the battery pack over discharges or remains very low power, the red LED light will flash.
3. When the battery pack temperature is exceeded, the red LED light will flash. Cool it down for 10~20 minutes.

4. When there is fault with the battery pack, the red LED light will flash.
5. Once the battery pack is correctly located in the charger, the 4 green LED lights of the battery pack will flash LED lights to indicate the charging process. At the same time the green LED light of the charger will flash continuously during normal charging, while the red LED light is still on.

Low capacity warning

Unlike other battery pack types, lithium-ion battery packs deliver fade-free power for their entire run time. The tool will not experience a slow, gradual loss of power as you work. If the red LED on the battery pack begins to flash, the battery pack's charge is below 1% capacity and should be recharged.

To obtain the best life from the battery

1. Never allow the battery to completely discharge before recharging. The battery pack should be placed on the charger whenever the battery pack is noticeably running down or the tool no longer performs a task it previously performed.
2. Avoid conducting short charges. Make sure that the battery is fully charged each time by allowing the charger to complete its full charging cycle.
3. Avoid allowing loose items like screws or nails etc. to be stored with battery packs as these or similar items can short battery packs and cause a fire or explosion
4. Always unplug the charger when not in use and store in a dry and secure place.
5. Avoid charging or storing your battery in temperatures below 41°F and above 113°F.
6. After use, allow the battery to pack to cool down for approximately 30 minutes before attempting to recharge.

Filling the chain oil tank

1. Open the chain oil tank cap. (See Fig. 6)
2. Fill ONLY with Chain OIL - 406 Lubricating Oil
3. Reinstall oil tank cap. Tighten firmly.
4. Wipe off excess oil.

NOTE: It is normal for oil to seep when saw is not in use. Empty oil tank after each use in case of seepage.

To insert the battery pack

1. Align the groove on the battery pack with the corresponding ribs in the receptacle of the device. (See Fig. 7)
2. Depress the battery pack with moderate force until it is locked in place. Make sure that the battery handle is folded down. (See Fig. 7)

Battery Pack Y0L120BAT2.5 (See Fig. 14)

1. Lift handle
2. Main housing
3. Indicator button
4. Green LED lamps
5. Red LED lamp

Battery Pack Operation (See Fig. 15)

1. When you push the power indicator button, the green LED lights will show the power remaining. (See Fig. 15 ①)
2. When the battery pack over discharges or remains very low power, the red LED light will flash. (See Fig. 15 ②)
3. When the battery pack temperature is exceeded, the red LED light will flash. Cool it down for 10~20 minutes. (See Fig. 15 ②)
4. When there is fault with the battery pack, the red LED light will flash. (See Fig. 15 ②)
5. Once the battery pack is correctly located in the charger, the 4 green LED lights of the battery pack will flash LED lights to indicate the charging process. At the same time the green LED light of the charger will flash continuously during normal charging, while the red LED light is still on. (See Fig. 15 ③)

To remove the battery pack from the tool

1. Press the battery pack release button, the battery pack will spring out automatically. (See Fig. 8)
2. Lift up the carrying handle and remove the battery pack. (See Fig. 8)

Switch ON the chain saw

1. Depress the power button and hold down for 2 seconds- The green LED light will be ON. This means the tool is power on normally. (See Fig. 9)
2. Make sure the Chain Brake lever is in the OFF position – (pulled backwards towards the rear). (See Fig. 10)

3. Grip the main handle with your right hand and auxiliary handle with left hand.
4. Press the safety lock off button with your thumb and then grip the switch trigger. (See Fig. 11)

Switch OFF the chain saw

Depress the power button and hold down for 2 seconds- All LED lights will be OFF. (See Fig. 12)

Make sure the Chain Brake lever is in the ON position. (See Fig. 13)

Caution:

Always switch off the chain saw when work break or long time storage, ensure the Chain break lever is in the ON (lock) position.

Before use

1. Check that the chain brake works correctly and is not damaged.
Check the operation of the chain brake prior to each use.
Engage the chain brake by rotating your left hand around the front handle and then allowing your hand to push forward the chain brake lever guard while the chain is rotating at normal speed. Make sure you have both hands on the chainsaw at all times. The chain should stop immediately.
Reset the Chain brake lever by pulling the brake lever back toward the handle.
2. Check that the rear right hand guard is not damaged.
3. Check that the lock-off button and on/off trigger switch works correctly and is not damaged.
4. Check that all handles are free from oil.
5. Check that all parts of the chain saw are tightened correctly and that they are not damaged or missing.
6. Check the chain tension.

Correct posture

1. Never work on unstable surfaces!
2. Never work while standing on a ladder!
3. Do not lean too far forward or too far back!
4. Use the product only under favorable weather and site conditions!
5. Stand with both legs securely on the ground. Watch out for obstacles in the work area.

General using method

1. Use the chain saw only with secure footing.
2. Always hold the chain saw firmly with both hands. Front grip with the left hand and rear grip with the right hand. Fully grip both handles at all times during operation. Never operate chain saw using only one hand. Hold the chain saw at the right-hand side of your body.
3. Switch on the saw and always allow the chain blade to reach full speed before it makes contact with the wood.

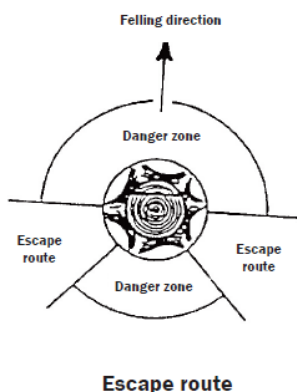
The proper techniques for basic felling, limbing, and cross-cutting

Felling a tree

When bucking and felling operations are being performed by two or more persons at the same time, the felling operations should be separated from the bucking operation by a distance of at least twice the height of the tree being felled. Trees should not be felled in a manner that would endanger any person, strike any utility line or cause any property damage. If the tree does make contact with any utility line, the company should be notified immediately.

The chain saw operator should keep on the uphill side of the terrain as the tree is likely to roll or slide downhill after it is felled.

An escape path should be planned and cleared as necessary before cuts are started. The escape path should extend back and diagonally to the rear of the expected line of fall .



Before felling is started, consider the natural lean of the tree, the location of larger branches and the wind direction to judge which way the tree will fall. Remove dirt, stones, loose bark, nails, staples and wire from the tree.

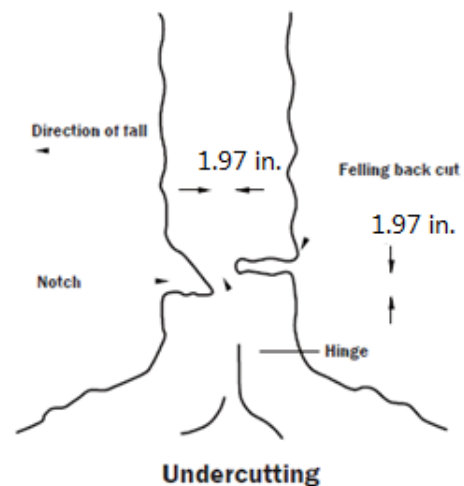
Notching undercut

Make the notch 1/3 the diameter of the tree, perpendicular to the direction of falls.

Make the lower horizontal notching cut first. This will help to avoid pinching either the saw chain or the guide bar when the second notch is being made.

Felling back cut

Make the felling back cut at least 1.97 in. higher than the horizontal notching cut.



Keep the felling back cut parallel to the horizontal notching cut. Make the felling back cut so enough wood is left to act as a hinge. The hinge wood keeps the tree from twisting and falling in the wrong direction. Do not cut through the hinge. As the felling gets close to the hinge, the tree should begin to fall. If there is any chance that the tree may not fall in desired direction or it may rock back and bind the saw chain, stop cutting before the felling back cut is complete and use wedges of wood, plastic or aluminum to open the cut and drop the tree along the desired line of fall. When the tree begins to fall remove the chain saw from the cut, stop the motor, put the chain saw down, then use the retreat path planned. Be alert for overhead limbs falling and watch your footing.

Limbing a tree

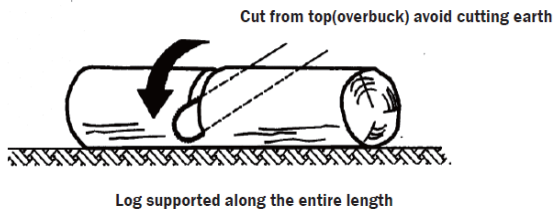
Limbing is removing the branches from a fallen tree. When limbing leave larger lower limbs to support the log off the ground. Remove the small limbs in one cut.

Branches under tension should be cut from the bottom up to avoid binding the chain saw.

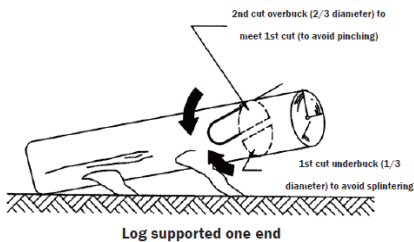
Bucking a log

Bucking is cutting a log into lengths. It is important to make sure your footing is firm and your weight is evenly distributed on both feet. When possible, the log should be raised and supported by the use of limbs, logs or chocks. Follow the simple directions for easy cutting.

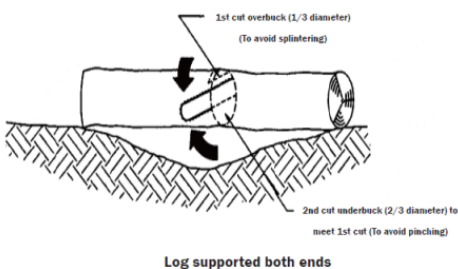
When the log is supported along its entire length it is cut from the top (over buck).



When the log is supported on one end, cut 1/3 the diameter from the underside (under buck). Then make the finished cut by over bucking to meet the first cut.

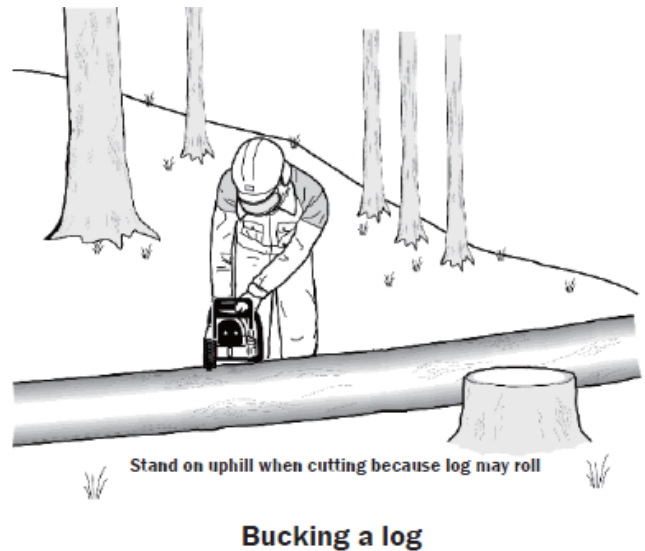


When the log is supported on both ends, cut 1/3 the diameter from the top (over buck). Then make the finished cut by under bucking the lower 2/3 to meet the first cut.



When bucking on a slope always stand on the uphill side of the log, When "cutting through", to maintain complete control release the cutting pressure near the end of the cut without relaxing your grip on the chain saw handles. Don't let the chain contact the ground.

After completing the cut, wait for the saw chain to stop before you move the chain saw. Always stop the motor before moving from tree to tree.



Maintenance and storage



WARNING! Before performing any repair work, always remove the battery pack and wait until the cutting blade has come to a standstill!

1. Do not spray the unit with water. Ingress of water may destroy the battery pack and the electric motor.
2. Clean the unit with a cloth, hand brush, etc.
3. Keep all nuts, bolts and screws tight to be sure the equipment is in safe working condition;
4. Replace worn or damaged parts for safety.

Battery Maintenance:

Use the following procedures to enable optimum usage of the battery:

1. Protect the battery against moisture and water.
2. Store the battery only within a temperature range from 32° F to 113° F. As an example, do not leave the battery in a vehicle or in the trimmer in direct sunlight.
3. Clean the ventilation slots of the battery occasionally with a soft, clean and dry brush. A considerably shortened operating time after charging is an indication that the battery is exhausted and must be replaced.
4. If you do not use the product for a long time, please charge and discharge the battery pack once every 6 months.

Cutting System Maintenance:

1. Check that the lubrication system is adequate.
2. Turn the bar over every day.
3. Check the bar wear.
4. Ensure that the oil flow hole is unobstructed.
5. Check the chain tension, sharpen the blades and check their conditions eventually removing irregularities.
6. Check the guide bar sprocket conditions.
7. Ensure that the oil reservoir is clean.

Storage:

Clean the exterior of the machine thoroughly using a soft brush and cloth. Do not use water, solvents or polishes.

Store the machine in a dry place. Do not place other objects on top of the machine.

Transport

Use the original packaging to ship whenever possible.

Troubleshooting



WARNING !

Before performing any repair work, always ensure that the battery pack/safety key has been removed and wait until the tool has stopped completely.



WARNING !

Always wear heavy duty gloves when adjusting or cleaning.

Fault/malfunction	Cause	Remedy
Chainsaw does not power ON and start	Battery discharged?	Recharge the battery.
	battery pack is not located correctly	Re-Install the battery pack once again
	Device defective?	Contact service partner.
Poor cutting performance	Chain blade is blunt	Replace or re-sharpen chain blades
	Chain blade is lack of lubricant	Check the lubricant system to ensure lubrication is working
	Chain tension is incorrect	Re-adjust chain tension as detailed in the instructions
	Chain is not in the bar groove	Re-install the saw chain as detailed in the instructions
Insufficient chain lubrication.	Oil tank empty	Refill with specified Chain oil.
	Is the oil guide groove of the saw rail clogged up?	Clean oil guide groove and clean any debris
Bar and chain smoking when cutting	Check chain tension for over tightening	Re-adjust chain tension as detailed in the instructions
	Chain oil tank empty	Re-fill the Chain oil tank
	Debris in guide bar	Clear debris from the bar groove

Working LED indicator(Green)	Status	Instruction
OFF	Power OFF	Switch OFF
ON	Power ON, Switch Trigger OFF	Standby model
flashing 1 time in cycle	Power ON, Switch Trigger ON	Hardware overheat, release the switch trigger and cool down for a while
flashing 2 times in cycle	Power ON, Switch Trigger ON	software protection, restart the machine and try again
flashing 3 times in cycle	Power ON, Switch Trigger ON	Hall sensor faulty, restart the machine and try again
flashing 4 times in cycle	Power ON, Switch Trigger ON	motor stalling protection, release the switch trigger and then try again
flashing 5 times in cycle	Power ON, Switch Trigger ON	motor overheat protection, power OFF the machine, cooling down, then restart the machine
flashing 6 times in cycle	Power ON, Switch Trigger ON	Control board overheat protection, power OFF the machine, cooling down, then restart the machine
flashing 7 times in cycle	Power ON, Switch Trigger ON	Battery pack overheat protection, power OFF the machine, cooling down, then restart the machine
flashing 8 times in cycle	Power ON, Switch Trigger ON	low voltage protection, charge the battery pack or replace a battery
flashing 9 times in cycle	Power ON, Switch Trigger ON	Internal communications problem, replace a battery pack and then try again
flashing 10 times in cycle	Power ON, Switch Trigger ON	Chain brake actuating lever is in lock position, pull the lever to unlock position

WARRANTY

Product Warranty

Please keep your original purchase receipt in a safe place as proof of purchase. Warranty coverage for this product must be verified by the original purchase receipt. The warranty period begins on the day that the product was purchased from an authorized retailer of Yard Force products. Warranty coverage only applies to the original purchaser and is not transferable. Warranty coverage is only provided on products purchased and used in the USA and Puerto Rico from authorized Yard Force retailers. Products purchased or used outside of the USA and Puerto Rico are not covered by this warranty.

(1) Five-Year Warranty on Model: Y0LSX46B000 chain saw tool only and Three-Year Warranty on 120vRX Battery Pack and Charger

The Yard Force Outdoor Power Equipment has a 5-Year Limited Warranty and 120vRX Battery Pack and Adapter has a 3-Year Limited Warranty from the date of purchase against manufacturer defects for residential use only. Commercial use voids the warranty. This warranty does not cover accidental damage, unreasonable use, normal wear and tear, neglect or non-compliance with the Operating, Safety and Maintenance Instructions. All service, outside of normal maintenance as described in this manual, must be done by an authorized service technician. Any unauthorized service or changes to the original configuration of this product will void the warranty. All parts and accessories used on and with this product must be manufactured and/or authorized by Merotec Inc.

(2) Ninety-Day Warranty – Accessories

The accessories included with the Y0LSX46B000 are warranted against manufacturer defects for residential use only for a period of 90 days from date of purchase.

Warranty does not cover loss of use or other consequential damages arising from any of the above, nor does it cover repairs made or attempted by unauthorized persons.

This warranty is void if the product is used for commercial, rental or industrial purposes.

Certain parts, attachments and accessories are subject to normal wear and tear and are excluded from the warranty.

Service and Warranty Claims Process

Contact the Yard Force Support Center toll-free at **(866) 902-9690 Monday-Friday between 8:30 AM and 5:00 PM Eastern Time** for service and warranty support.

Yard Force Service Support agents can help you troubleshoot problems over the phone to get you back up and running as quickly as possible. In the situation where service or warranty inspection is needed, please follow these steps:

1. Call Yard Force at **(866) 902-9690 Monday-Friday between 8:30 AM and 5:00 PM Eastern Time**.
2. Send in proof-of-purchase and serial number (if applicable) to confirm warranty Coverage as directed by Yard Force.
3. If service or a warranty evaluation is requested, Yard Force will provide an RGA number that should be used in all communications with Yard Force and is required to be indicated on the product itself and on the outside of the box.
4. All shipments to Yard Force must have an RGA number. Any shipment received that does not have an RGA number clearly marked on the outside of the box will be refused.
5. All shipments must be sent pre-paid, Yard Force does not pay for any shipping costs for service or warranty evaluation. Yard Force is not responsible for any packages that are lost by carrier. We recommend that shipments are made by a carrier that provides tracking and delivery confirmation.

For more information or to ask questions, please call toll-free **(866) 902-9690 Monday-Friday between 8:30 AM and 5:00 PM Eastern Time**.

SAVE THESE INSTRUCTIONS



1-866-902-9690



support@merotecusa.com

Need Help?

Please do not return the product to the place of purchase yet. We're here to help and take care of all your needs.

Contact our Customer Care Center in Atlanta, GA for help with:

- **Product assembly or use**
- **Missing or damaged parts**
- **Troubleshooting**

You can also visit our website to download owner's manuals and get additional product information. Visit www.YardForceUSA.com, or call our toll free hotline: 1-866-902-9690 M-F 8:30am – 5:00pm ET