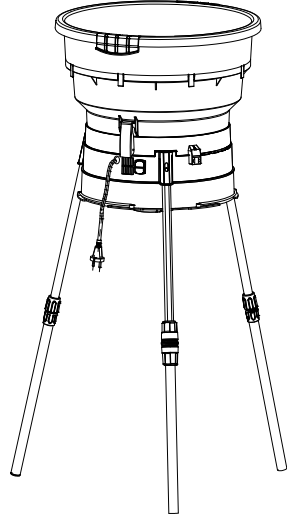




**YARD FORCE**<sup>®</sup>  
OUTDOOR POWER EQUIPMENT

**Model YF8000**

**OPERATING MANUAL  
ELECTRIC LEAF SHREDDER**



**QUESTIONS?**

Our Customer Service staff is ready to provide assistance. In the case of a damaged or missing part, most replacement parts ship from our facility.

For immediate help with assembly, or for additional product information, call 866-902-9690

visit [www.YardForceUSA.com](http://www.YardForceUSA.com) or

email [support@YardForceUSA.com](mailto:support@YardForceUSA.com)

**SAVE THIS MANUAL FOR REFERENCE**

You will need this manual for safety instructions, operating procedures, and Warranty. The original sales invoice is Warranty. The original sales invoice is required for warranty service.

### TABLE OF CONTENTS

Important safety instructions	1
Electrical requirements	4
Safety symbols	6
Know your electric leaf shredder	7
Assembly	8
Operation	12
Maintenance	14
Storage	15
Technical data	16
Warranty	17

### IMPORTANT SAFETY INSTRUCTIONS

Please read all of the safety precautions before operating this machine.



#### WARNING

Could cause injury or death if not followed



#### CAUTION

Could damage machine if not followed



#### CAUTION

Before using this electric tool, carefully read and observe the safety rules and instructions listed below. Before starting work, make sure that you know how to stop the machine in case of an emergency. The incorrect use of this machine could cause serious injury. Keep these instructions in a safe place and on hand so that they can be consulted when required.



#### WARNING

Read all safety warnings and all instructions. Failure to follow all warnings and instructions may result in electric shock, fire or serious injury.

### IMPORTANT SAFETY INSTRUCTIONS



#### WARNING

When using electric gardening appliances, basic safety precautions should always be followed to reduce the risk of fire, electric shock and personal injury.



#### WARNING

The leaf shredder is designed to shred leaves, grass clippings, pine needles etc, it can not be used to shred branches, sticks or brush. The machine is only for household use, not commercial use.

### GENERAL SAFETY RULES

1. Become familiar with all sections of this owners manual before attempting to operate the shredder. This shredder should be used solely for the purpose it was intended.
2. Use only parts or accessories specifically designed for use with this shredder. Using other parts or accessories could increase risk of injury.
3. Keep children Away – all bystanders should be kept at a distance from the work area.
4. Never allow your hands or any part of your body or clothing inside the upper housing area.
5. Avoid dangerous environments – do not use shredder in damp or wet locations. Do not operate or store shredder in wet areas. Do not operate in rain. Store indoors in a dry, secure location. Keep out of reach of children.
6. This shredder should be operated on a solid, level surface.
7. Dress properly – do not wear loose clothing or jewelry, they can be caught in moving parts. Use of work gloves and substantial footwear is advised when working outdoors. Wear protective hair covering to contain long hair.
8. Stay alert – Watch what you are doing. Use common sense. Do not operate shredder when you are tired.
9. Do not abuse power or extension cords – Never carry unit by its power cord or yank cord to disconnect from receptacle. Keep all cords clean and away from heat, oil and sharp edges and inspect for damage before each use.
10. Ground unit properly. Follow instructions on page 5 when connecting to electrical outlet.
11. Warning – To reduce the risk of electrical shock, use only an extension cord intended for outdoor use. See page 4 for additional information on extension cords.
12. Ground fault circuit interrupter (GFCI) protection should be provided on the circuit(s) or outlet(s) to be used for this shredder. Receptacles are available having built-in GFCI protection and may be used for this measure of safety.
13. If it is necessary for any reason to inspect, clean or repair the shredder, turn the shredder off and wait until it comes to a complete stop, then disconnect the power cord before attempting such inspection or repair.
14. Disconnect shredder from the power source when not in use, before servicing, and when changing cutting lines.

## IMPORTANT SAFETY INSTRUCTIONS

15. When feeding material into the leaf shredder, be extremely careful that pieces of metal, rocks, bottles, cans or other foreign objects are not included.
16. Do not force material into the leaf shredder. It will do the job better and with less likelihood of a risk of injury when used at the rate for which it was designed.
17. If the cutting mechanism strikes a foreign object or if your shredder should start making an unusual noise or vibration, immediately switch it off, wait until the shredder has come to a complete stop, then disconnect the power cord and take the following steps:
  - A. Remove any foreign or clogged material.
  - B. Check for any loose parts and tighten to assure continued safe operation.
  - C. Replace or repair any damaged parts.
18. Avoid unintentional starting. Be sure switch is off when plugging in the shredder.
19. Always use safety glasses. Wear face or dust mask if operation is dusty.
20. Check discharge area periodically after stopping shredder to assure the processed material does not build up and clog motor cooling vents.
21. Do not overreach – keep proper footing and balance at all times.
22. Do not move shredder when motor is running or with finger on the switch.
23. Maintain leaf shredder with care – follow instructions for replacing cutting lines and for cleaning air filter. Inspect shredder power cord periodically, and if damaged, have it repaired by an authorized service facility. Keep handles dry, clean, and free from oil and grease.
24. Check damaged parts – before further use of the shredder, any part that is damaged should be carefully checked to determine that it will operate properly and perform its intended function. Check for alignment of moving parts, binding of moving parts, breakage of parts, mounting, and any other condition that may affect its operation. A guard or other part that is damaged should be properly repaired or replaced by an authorized service center unless indicated elsewhere in this manual.

## ELECTRICAL REQUIREMENTS

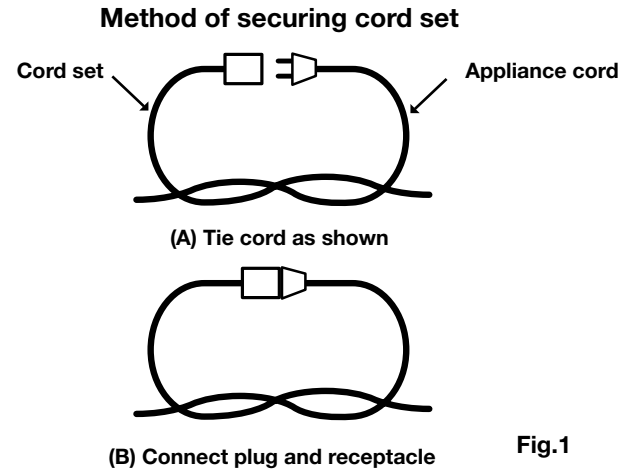
### EXTENSION CORDS

Only use three-wire extension cords that have three-prong grounding plugs and three-hole receptacles that accept the shredder's plug. When using an extension cord, make sure that it is in good condition. Use a 14 ga. or heavier extension cord with a maximum length of 100 ft. An undersized extension cord will cause a drop in line voltage resulting in loss of power and overheating.

Warning – To reduce the risk of electric shock, only use extension cords intended for outdoor use, such as cord types SW-A, SOW- A, STW-A, STO W-A, SJW-A, SJOW-A, SJTW- A or SJTOW -A.

To prevent the appliance cord from disconnecting from the extension cord during operation, follow the method of securing the extension cord as diagrammed below.

- i) Make a knot as shown in Figure 1 or
- ii) Use one of the plug-receptacle retaining straps or connectors described in this manual.



### Minimum Gauge for Extension Cords

Volts	Total length of cord in feet				
	25	26-50	51-100	101-150	
120V					
Ampere Rating	AWG (Extension Cord Gauge)				
	0-6	18	16	16	14
	6-10	18	16	14	12
	10-12	16	16	14	12
	12-16	14	12	Not Recommended	

## ELECTRICAL REQUIREMENTS


### DOUBLE-INSULATED APPLIANCES

In a double-insulated appliance, two systems of insulation are provided instead of grounding. No grounding means is provided on a double-insulated appliance, nor should a means for grounding be added to the appliance. Servicing a double-insulated appliance requires extreme care and knowledge of the system, and should be performed only by qualified service personnel. Replacement parts for a double-insulated appliance must be identical to the parts they replace. A double-insulated appliance is marked with the words "Double Insulation" or "Double Insulated." The symbol (square within a square) may also be marked on the appliance.

### DOUBLE-INSULATED: GROUNDING NOT REQUIRED. WHEN SERVICING, USE ONLY IDENTICAL REPLACEMENT PARTS.

This leaf shredder is double-insulated, eliminating the need for a separate grounding system. Use only identical replacements parts. Read the instructions for servicing double-insulated leaf shredders before servicing. Use this leaf shredder only as described in this manual.

 **WARNING**  
To reduce the risk of electric shock, do not expose to rain. Store indoors.

 **WARNING**  
For your own safety, read and understand the operator's manual. Do not run the unit unattended.











 **CAUTION**  
To reduce the risk of injury from moving parts, unplug the unit before cleaning or servicing.

### UNPACKING

Due to modern mass production techniques, it is unlikely that your leaf shredder is faulty or that a part is missing. If you find anything wrong, do not operate the tool until the parts have been replaced or the fault has been rectified. Failure to do so could result in serious personal injury.

## SAFETY SYMBOLS

The following table depicts and describes safety symbols that may appear on this product. Read, understand, and follow all instructions on the machine before attempting to assemble and operate.

Symbol	Description
	<b>SAFETY ALERT</b> , indicates a precaution, a warning or a danger.
	<b>READ THE OPERATOR'S MANUAL(S)</b> Read, understand and follow all instructions in the manual(s) before attempting to assemble and operate.
	<b>WARNING!</b> Keep out of rain and away from wet areas.
	<b>Risk of eye injury.</b> Use safety glasses or similar eye protection. Wear hearing protection.
	<b>Wear protective gloves</b> when using the machine and handling debris. <b>Wear protective shoes</b> during operation.
	<b>CAUTION!</b> Remove plug from outlet immediately if the cord is damaged or cut.
	<b>CAUTION!</b> Remove plug from outlet before conducting inspection, cleaning or maintenance.
	<b>DANGER!</b> Keep hands and feet away from cutting area.
	Keep bystanders at a safe distance.
	<b>Double Insulation</b>

## KNOW YOUR ELECTRIC LEAF SHREDDER

It is important to know the features and safety requirements of the leaf shredder. Do not use the leaf shredder for purposes or applications it is not intended for.

1. Funnel cover
2. Housing funnel
3. Clamps (2)
4. Motor housing
5. Telescoping leg height adjustment knob
6. Plug and cable
7. Leg assembly holes
8. Legs (3)
9. ON/OFF switch
10. Elastic straps
11. Material selection lever
12. Removable air filter
13. Leaf collectors (2)
14. Replacement lines (20)
15. Goggle

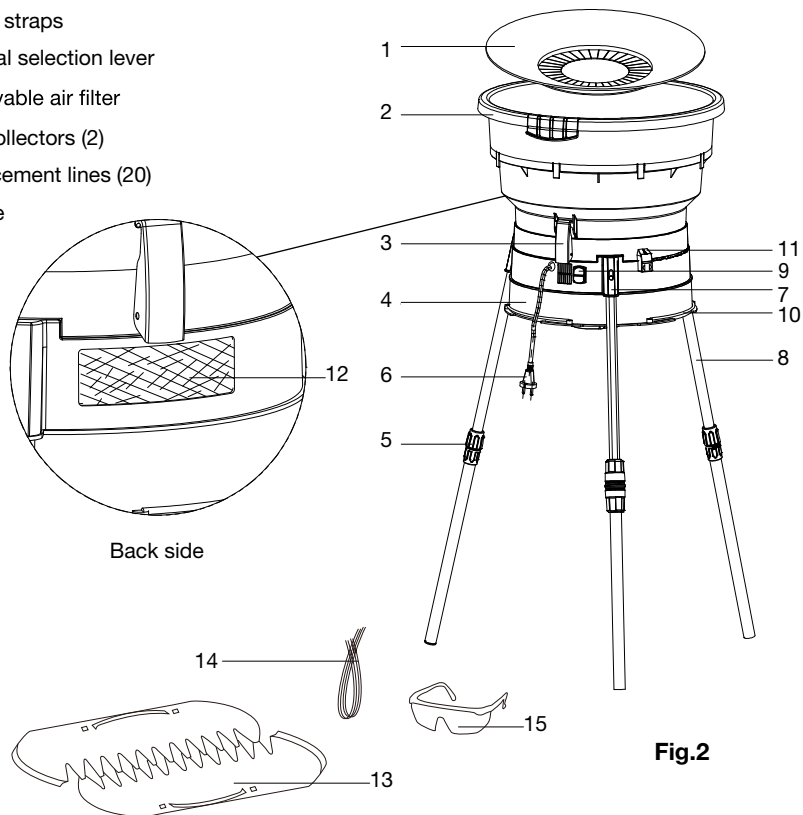


Fig.2

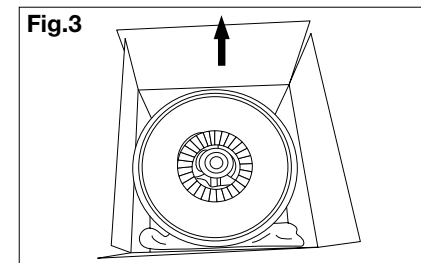
## ASSEMBLY

**WARNING**  
Do not connect to power supply until assembly is complete. Failure to comply could result in accidental starting and possible serious personal injury.

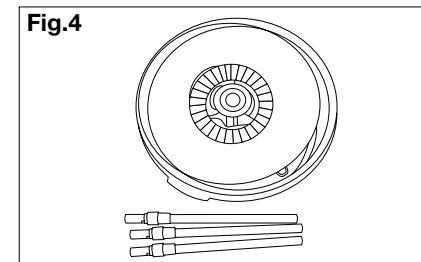
**CAUTION**  
Take care when taking the components out of the box. Don't separate the parts by force and confirm each part is intact. If any part is broken, please contact the service agent.

### UNPACKING

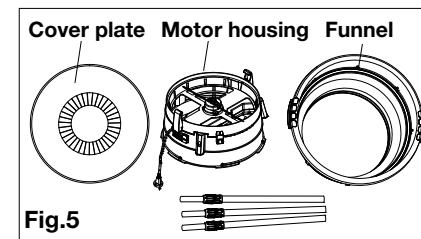
1. Open the box.



2. Take out the funnel assembly and three legs.



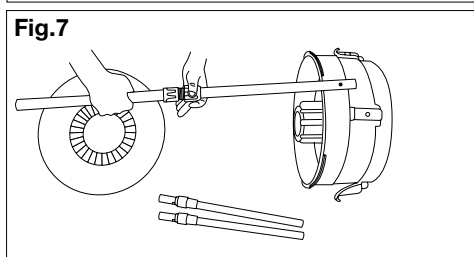
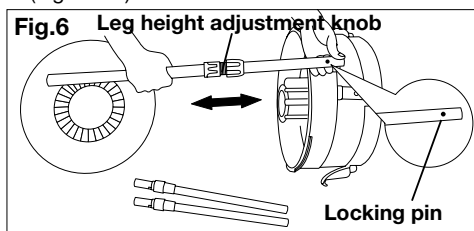
3. Remove the motor housing from the funnel.



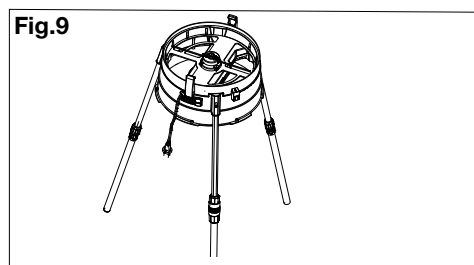
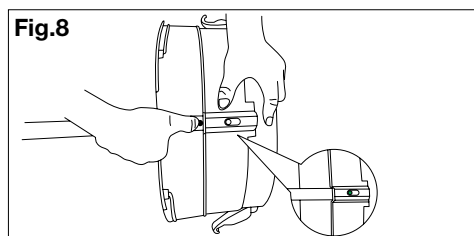
## ASSEMBLY

### ASSEMBLE THE SHREDDER STAND

1. Loosen the leg height adjustment knob, pull the tube to the height you need, then tighten the knob. (Fig. 6 & 7)



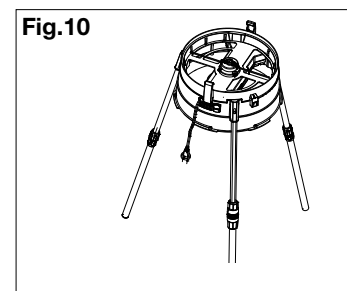
2. Depress the locking pin with finger as shown in Fig. 8, insert the tube into the leg assembly hole. Let the locking pin slip into the leg assembly hole. Repeat with the two remaining leg assembly holes.



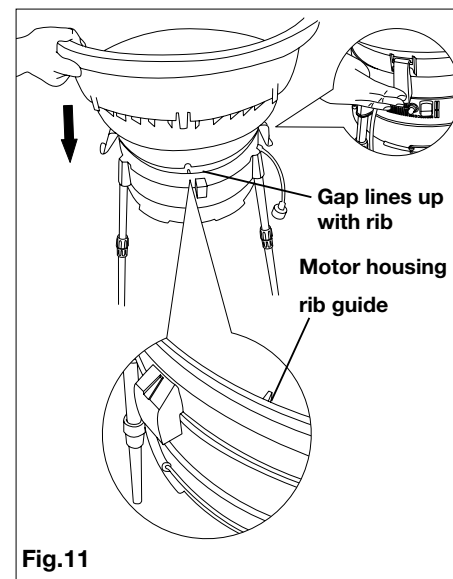
## ASSEMBLY

### ASSEMBLE THE SHREDDER STAND

1. Place the motor housing on the stand. Make sure the motor housing is stable on the legs (Fig. 10).

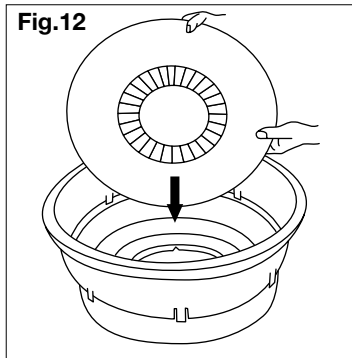


2. Fit the funnel onto the motor housing. Let the funnel knotch line up with the motor housing rib. Make sure it's locked down by the two clamps found on the motor housing (Fig. 11).



## ASSEMBLY

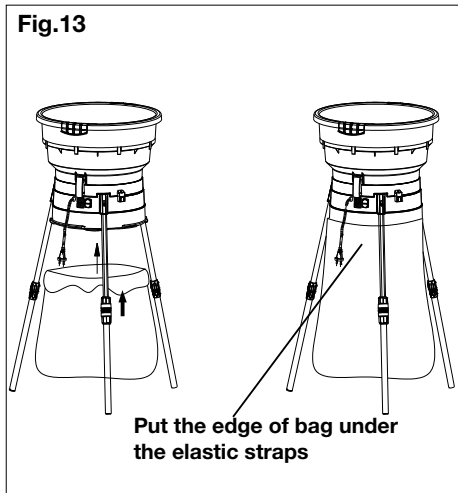
3. Fit the funnel cover over the funnel. Make sure the locking tabs on the funnel cover are securely attached to the funnel (Fig. 12).



## USING THE COLLECTING BAG

**NOTE:** This unit does not come with a leaf collecting bag. See below for an example on how to attach your leaf collecting bag.

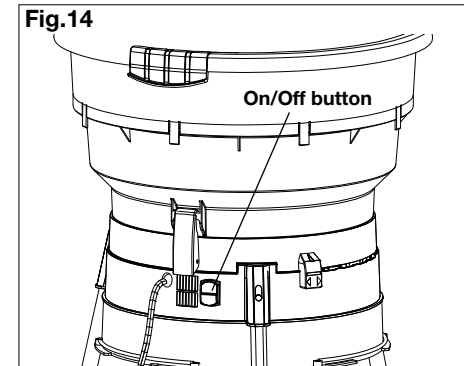
1. Place the bag opening around the motor housing, then use the elastic strap to tighten the bag, ensure the bag connects with the housing firmly (Fig. 13).



## OPERATION

### ON/OFF SWITCH

The On/Off switch is located on the lower side of the motor housing portion of the power head. To turn on the leaf shredder, push the green button. To turn off the leaf shredder, push the red button (Fig. 14).



### CAUTION

To prevent exposure to dusty air, don't stand in front of the motor ventilation slots.

### LOADING YOUR MACHINE

With the leaf shredder running, feed double-handfuls of dry leaves, or single-handfuls of wet leaves, into the funnel. Allow the machine to shred the load completely and regain speed before inserting the next handful. Do not overload the machine by letting it labor at low speed: this may cause the motor to stop. If this happens, turn the switch off, unplug the machine, clear the unshredded material from the funnel, restart the machine, and continue with your shredding.



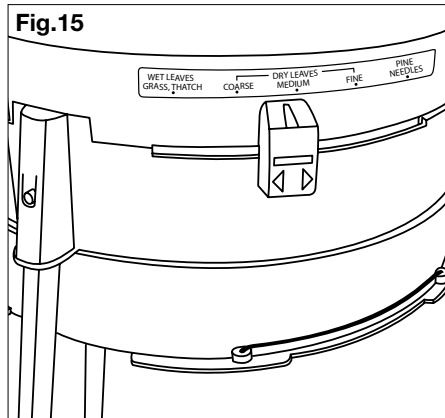
### WARNING

Filling mulcher with unshredded material at a rate faster than the machine can handle may result in permanent damage to your motor. Always wear protective glasses and a mask.

## OPERATION

### MATERIAL SELECTION LEVER

The material selection lever (shown in Fig. 15), controls the particle size and speed at which material goes through the unit. With the selection lever in the COARSE position, material will process through the unit faster, but will give you a larger particle size than if the lever were in the FINE position. The FINE position setting will discharge material slower, but will give the smallest particle size. Use special settings for pine needles, grass clippings and thatch. For best results, material should be shredded when dry.



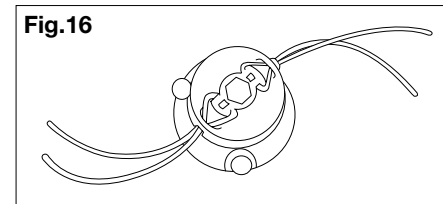
## MAINTENANCE

### CLEANING YOUR UNIT

Your unit requires a minimum of maintenance other than cleaning. It is recommended that you clean out built-up residue inside the housing area during and after each use. When fully disassembled, clean the funnel cover and funnel with clean water, while using a dry cloth to clean the motor housing. Replace cutting line as often as necessary and clean the air filter frequently.

**CAUTION**  
Directly cleaning the motor housing with water will lead to permanent damage to the motor.

### REPLACEMENT OF CUTTING LINE



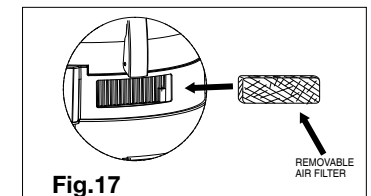
Replace cutting line when a noticeable decrease in shredding efficiency is observed. To remove used cutting lines, cut the old lines and pull the remaining line out of the spinner head. When installing new cutting lines, place each end of the new line through the two holes in the post on top of the spinner head and pull through so that both ends of the line are even. Then thread the lines through each corresponding ferrule so that both ends of the line are even.

**NOTE:** There is a built in line cutter that will cut and trim lines shortly longer than desired.

**WARNING**  
For optimum performance, use only recommended replacement lines. Aftermarket monofilament lines having a maximum diameter of 0.1 in. (2.5 mm) and a maximum length of 12 in. (30.5 cm) could be temporarily substituted. Use of thicker lines, lines made of substitute material or lines greater than 12" long may result in permanent damage to the leaf shredder.

### Cleaning Air Filter

The removable air filter is located on the side of the housing funnel. To remove, grasp filter with fingers and pull out of compartment. (See Fig. 17) Rinse with clear water and air dry. Replace air filter before using machine.

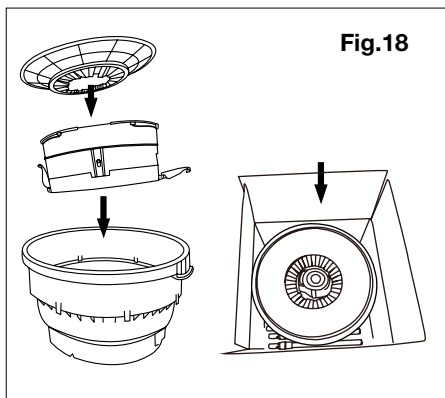




## STORAGE

When the leaf mulcher is stored at the end of the season, disassemble and stack in the following order:

1. Place the funnel into the box.
2. Fit the motor housing into the funnel.
3. Place the funnel cover onto the motor housing
4. Rest the legs in the box beside assembly.



## TECHNICAL DATA

Rated Voltage: 120 V, 60 Hz  
Rated Power: 13 amp  
No Load Speed: 8,000/min  
Mulch Ratio: 12:1  
Max. Cutting Diameter: 12 in. (30.4 cm)  
Line Diameter: 0.095 in. (0.25 cm)  
Weight: 13.45 lbs (6.1 kg)

## WARRANTY

### Product Warranty

Please keep your original purchase receipt in a safe place as proof of purchase. Warranty coverage for this product must be verified by the original purchase receipt. The warranty period begins on the day that the product was purchased from an authorized retailer of Yard Force products. Warranty coverage only applies to the original purchaser and is not transferrable. Warranty coverage is only provided on products purchased from authorized Yard Force retailers.

This product is warranted for use in the USA only. Use outside of the USA will void the warranty.

### (2) Two-Year Warranty - Electric Motor

The YF8000 has a 2-Year Limited Warranty from the date of purchase against manufacturer defects for residential use only. Commercial use voids the warranty. This warranty does not cover accidental damage, unreasonable use, normal wear and tear, neglect or non-compliance with the Operating, Safety and Maintenance Instructions. All service, outside of normal maintenance as described in this manual, must be done by an authorized service technician. Any unauthorized service or changes to the original configuration of this product will void the warranty. All parts and accessories used on and with this product must be manufactured and/or authorized by Merotec Inc., a SUMEC company.

Warranty does not cover loss of use or other consequential damages arising from any of the above, nor does it cover repairs made or attempted by unauthorized persons. This warranty is void if the product is used for commercial, rental or industrial purposes. Certain parts, attachments and accessories are subject to normal wear and tear and are excluded from the warranty.

### Service and Warranty Claims Process

Contact the Yard Force Support Center toll-free at 1-866-902-9690 Monday-Friday between 8:30 AM and 5:00 PM Eastern Time for service and warranty support.

Yard Force USA Service Support agents can help you troubleshoot problems over the phone to get you back up and running as quickly as possible. In the situation where service or warranty inspection is needed, please follow these steps:

1. Contact Yard Force USA at 1-866-902-9690 Monday-Friday between 8:30 AM and 5:00 PM Eastern Time.
2. Send in proof-of-purchase and serial number (if applicable) to confirm warranty coverage.
3. If service or a warranty evaluation is requested, Yard Force USA will provide an RGA number that should be used in all communications with Yard Force USA and is required to be indicated on the product itself and on the outside of the box.
4. All shipments to Yard Force USA must have an RGA number. Any shipment received that does not have an RGA number clearly marked on the outside of the box will be refused.
5. All shipments must be sent pre-paid, Yard Force USA does not pay for any shipping costs for service or warranty evaluation. Yard Force USA is not responsible for any packages that are lost by carrier. We recommend that shipments are made by a carrier that provides tracking and delivery confirmation.

For more information or to ask questions, please call toll-free 1-866-902-9690 Monday-Friday between 8:30 AM and 5:00 PM Eastern Time.



1-866-902-9690



[www.YardForceUSA.com](http://www.YardForceUSA.com)

## Need Help?

Please do not return the product to the place of purchase yet. We're here to help and take care of all your needs.

### Contact our customer service department for help with:

- Product assembly or use
- Missing or damaged parts
- Troubleshooting

You can also visit our website for typical FAQ's, downloadable troubleshooting steps and instructional videos. Replacement parts and accessories can be purchased at [www.YardForceUSA.com](http://www.YardForceUSA.com), or call our toll free hotline: 1-866-902-9690 M-F 8:30am - 5:00pm ET

**Merotec Inc.**  
3655 Kennesaw North Industrial Parkway, Kennesaw, GA 30144  
Copyright © 2017 Merotec Inc.  
Made in China at a SUMEC manufacturing facility  
**MADE IN CHINA**